



# UTZON PENDANT JU1

BY JØRN UTZON  
1947

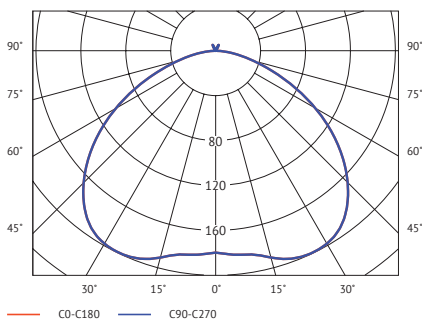
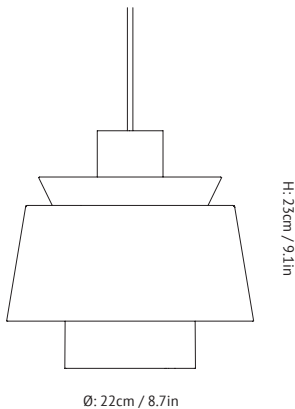


# UTZON PENDANT JU1

BY JØRN UTZON  
1947

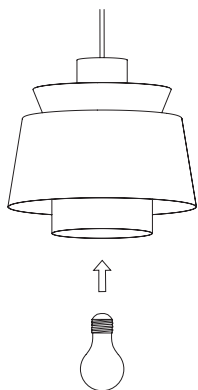
To Jørn Utzon, his father's naval engineering drawings became a lifelong fascination with ships and boats, along with light. More than a decade before Jørn Utzon created his masterpiece, the Sydney Opera House, he put his childhood fascination into this pendant, combining successfully the smoothness of the lines of a ship with the source of light for the first time.

& The choice of white or polished chrome finish reminds one of the waves and the northern light.



Photometric data file (LDT or IES) available upon request.

<b>Product type</b>	Pendant.
<b>Production Process</b>	The metal shades that make up the Utzon pendant are made from a combination of deep drawing and spinning.
<b>Environment</b>	Indoor.
<b>Dimensions ( cm / in )</b>	Ø: 22cm/8.7in, H: 23cm/9.1in.
<b>Weight ( kg )</b>	1.00 kg.
<b>Materials</b>	Chromed or lacquered metal, 3 meter fabric cord.
<b>Colours</b>	White lacquered steel with white fabric cord. Chromed steel with white fabric cord. Lacquered copper with black fabric cord.
<b>Voltage (V)</b>	220-240V - 50Hz.
<b>Light source &amp; Energi efficiency class</b>	E27 Max 60 Watt. The luminaire is compatible with bulbs of the energy classes: A++ - E Bulb is not included
<b>Certifications</b>	CE, IP20, Class II.
<b>Canopy</b>	Included.
<b>Cord lenght / diameter ( cm / in )</b>	300cm/118.1in.
<b>Cleaning Instructions</b>	Clean with soft dry cloth. Always switch off the electricity supply before cleaning.
<b>Package Dimensions (cm / in)</b>	H: 29.0cm/11.4in x W: 25.0cm/9.8in x D: 25.0cm/9.8in.



**Step 4**

Install the E27 light bulb.

andtradition.com



Instructions

**Utzon JU1**  
**Jørn Utzon**  
**1947**

---

Congratulations with your new Utzon lamp, designed in 1947 by Jørn Utzon. We hope you will enjoy using this product and follow these instructions to ensure correct installation. If you have any questions or comments, please do not hesitate to contact us by mail on:

info@andtradition.com

**&Tradition®**

# Utzon JU1

## Jørn Utzon

### 1947

Please read these instructions carefully and retain them for future reference to ensure that the product is used correctly. For your own safety, please study each step of this instruction manual first. &Tradition is not responsible for any faults or damages caused by not following these instructions correctly. Do not modify this product in any way.

#### Contents

- A Utzon lamp
- B Canopy and ceiling bracket

#### Tools needed

- Bulb type E27 maximum 60W

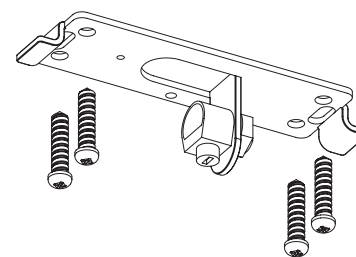
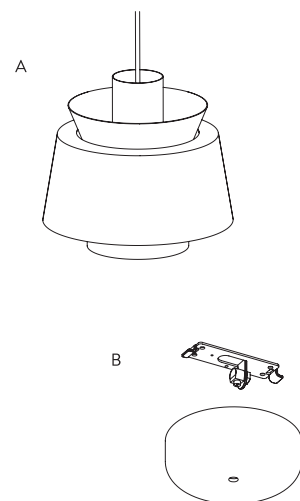
#### Safety precautions

- Dispose of plastic bag from packaging and do not allow children to play with it.
- Keep product well out of children's reach.
- The lamp is only intended for interior use.
- Consult a professional qualified electrician if in any doubt.
- Do not place the cable within reach of small children or anywhere with a risk of falling over it.

#### Cleaning instructions

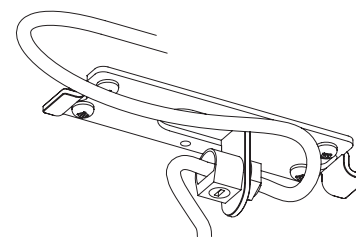
- Wipe surface of lamp shade with a soft, damp sponge or cloth.
- Do not use any abrasive cleaning tools such as steel wool, scouring sponges or stiff brushes.
- Never use strong cleaning agents such as white spirit, turpentine, household glass cleaner or cellulose thinners.
- Only wipe the inside of the shade with a soft, damp cloth or feather duster.

For indoor use only  
Maximum 60W  
E27 bulb not included



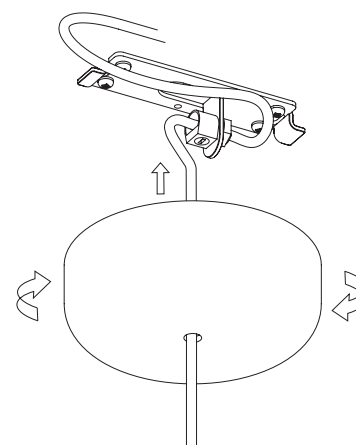
#### Step 1

Ensure power supply is turned off and remove any existing lamp fitting. Mount the metal bracket securely in the ceiling with screws and wall plugs, appropriate for the ceiling of installation.



#### Step 2

To determine the right suspension height for the lamp, pass the electrical cord through the strain relief of the metal bracket. When you have the desired suspension height of the lamp, tighten the plastic screw of the strain relief.



#### Step 3

Install the lamp to the outlet in the ceiling. Connect the blue supply wire to the blue fixture wire. Connect the brown supply wire to the brown fixture wire.

After connecting the wires install the plastic canopy onto the metal plate.

CE   IP20 