



FORMAKAMI JH18

BY JAIME HAYON
2018



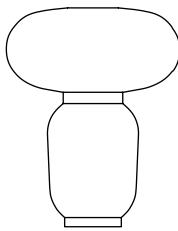
FORMAKAMI JH18

BY JAIME HAYON
2018

An ancient icon in a contemporary context makes the Formakami table lamp by Jaime Hayon truly exceptional. Add to that delicate materials like ivory white rice paper and black lacquered oak accents and you have an aesthetic that's Asian yet somewhat Scandinavian. Exuding an ambient light in a lamp that itself appears light.

Place the Formakami table lamp in a modern setting and cultural references disappear. Instead it brings an elegant, decorative element to any window, desk or side table, whether in a hotel lobby, restaurant or home. The soft "ripple" of the rice paper and the bulbous shape of the shade are delicate accents that enhance the sense of illumination.

Merging an icon from the past with handcrafted materials in a modern expression is only part of Formakami's unique appeal. The other part is its ability to create a cosy atmosphere even before you switch it on.



50cm / 19.6in

Ø: 38cm / 14.9in

Category	Table lamp
Production process	The paper shade is handmade with bend oak veneer fittings. The base is made from solid oak wood.
Environment	Indoor
Material	Ivory white paper, stained oak, 2 meter black fabric cord with dimmer
Dimensions (cm/in)	Ø: 38cm/14.9in, H: 50cm/19.6in
Weight (kg)	1 kg
Colours	Ivory white paper with black stained oak
Voltage (V)	220-240V - 50Hz
Light source & energy efficiency class	2 × E27 Max 60 Watt. The luminaire is compatible with bulbs of the energy classes: A++ - E. Bulbs are not included.
Cord length (cm/in)	200cm/78.8in
Certifications	CE, IP20, Class II
Cleaning instructions	Dust carefully with soft dry cloth. Always switch off the electricity supply before cleaning.
Package dimensions (cm/in)	Shade: H: 40.5cm/15.9in, W: 40cm/15.7in, D: 40.5cm/15.9in Base: H: 14cm/5.5in, W: 14cm/5.5in, L: 49cm/19.3in

USER INSTRUCTIONS

FORMAKAMI JH18

BY JAIME HAYON
2018



Congratulations with your new Formakami lamp, designed in 2018 by Jaime Hayon. We hope you will enjoy using this product and follow these instructions to ensure correct installation. If you have any questions or comments, please do not hesitate to contact us by mail on:

info@andtradition.com

CONTENTS

- A - Paper shade
- B - Lamp base with 2 meter cable and dimmer
- C - 2x Screws

Please read these instructions carefully and retain them for future reference to ensure that the product is correctly installed should it be moved or sold. For your own safety, please study each step of this instruction manual before you commence installation. &tradition are not responsible for any faults or damages caused by not following these instructions correctly. Do not modify this product in any way.

TOOLS NEEDED

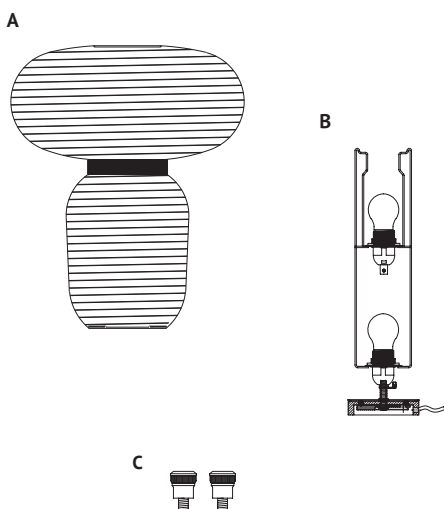
- Bulb type E27 (x2)

SAFETY PRECAUTIONS

- Dispose of plastic bag from packaging and do not allow children to play with it.
- Keep product well out of children's reach.
- The product is only intended for interior use.
- Do not attempt installation of product if you are not competent to do so yourself.
- Consult a professionally qualified electrician if in any doubt.
- Disconnect the electricity supply at the fuse box, before commencing work.

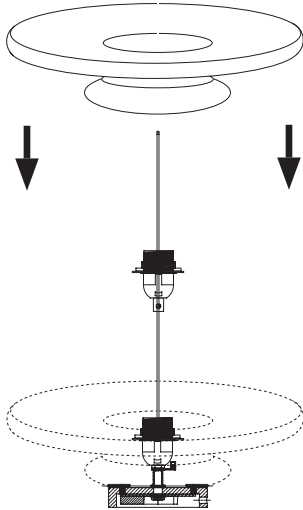
CLEANING INSTRUCTIONS

- Wipe surface of lamp shade with a soft duster, or very gently with a soft dry cloth.
- Do not use any abrasive cleaning tools such as steel wool, scouring sponges or stiff brushes.
- Never use liquids to clean the shade.



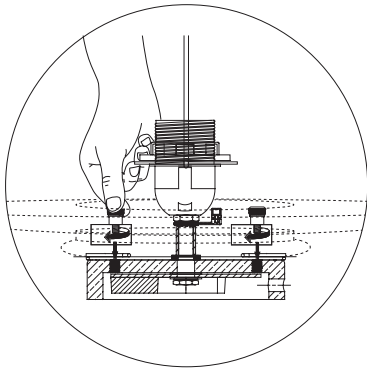
Maximum 60 W. E27 bulb.
Not included

&tradition®



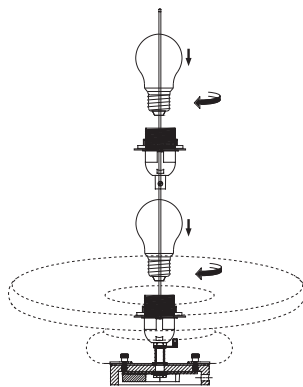
STEP 1

Carefully lower the lamp shade onto the lamp base.



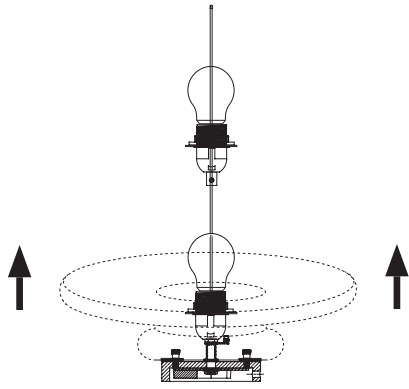
STEP 2

Align the holes from the paper shade's wire frame with the holes in the wooden base. Insert the screws and tighten them by hand.



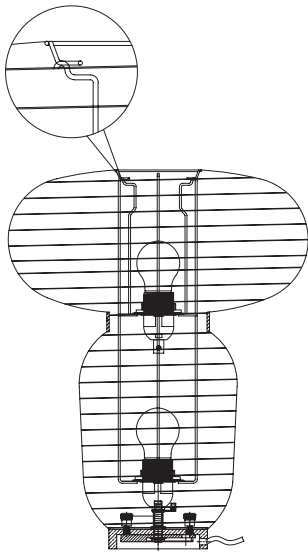
STEP 3

Install the light bulbs.



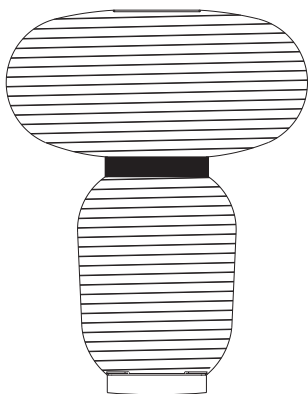
STEP 4

Carefully pull the paper shade up over the lamp base.



STEP 5

Connect the top of the paper shade with the wire frame of the lamp base.



STEP 6

The lamp is now ready to use. The light intensity can be adjusted using the dimmer switch in the cable.

If the external flexible cable or cord of this luminaire is damaged, it shall be exclusively replaced by the manufacturer or his service agent or a similar qualified person in order to follow safety and health regulations.

220-240V - 50 Hz



& tradition®