



Luna Swing Armchair



Finishes of the above picture



Fabric
Wool Bouclè
Col. 04 Pearl



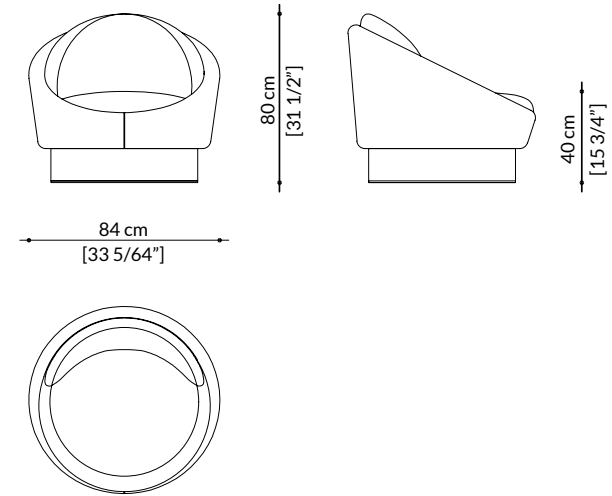
Laminated Leather
Champagne
Matt



Metal Finish
Champagne
Matt

Deliziosa poltroncina a pozzetto dalle forme sofisticate e contemporanee, ha una struttura in legno di frassino ecosostenibile non selezionato, con imbottitura realizzata in gomme biologiche, cuffia in ovatta naturale e cinghie in juta. Lo schienale imbottito si avvolge come un petalo innestandosi sul sedile. Rivestimento non sfoderabile. La struttura poggia su uno zoccolo girevole rivestito in lana bouclè, dettaglio base in metallo color champagne a satinatura orbitale.

Delightful tub chair with a sophisticated contemporary shape. The structure is made of eco-friendly, discarded ash wood, with cushioning made of biological polyurethane covered with natural wadding, and jute webbing. The cushioned backrest wraps around the seat like a petal. Unremovable covering. The structure rests on a swivel base with plinth clad in wool bouclè and champagne-coloured metal plate with an orbital satin finish.



BLENDED LINEN / IPA LINEN | SED.LUNA.201.SUP
Covered in linen, Blended linen

BOUCLE' WOOL / CHENILLE | SED.LUNA.201.DEL
Covered in natural Bouclè wool, Chenille



PAOLO CASTELLI

BOLOGNA
Headquarter

MILAN
Showroom

PARIS
Showroom

CARRARA
Marine Division

HEADQUARTER VIA 1° MAGGIO, 93 | 40064 OZZANO DELL'EMILIA | BOLOGNA - ITALY | TEL. +39 051 4695511 | info@paolocastellispa.com | www.paolocastelli.com