

Ipanema Sofa

DESIGN | THIERRY LEMAIRE



Finishes of the above picture



Velvet Superior
Velvet A&E
Col. 104 Indigo



Metal Finish
Black Nickel
Matt



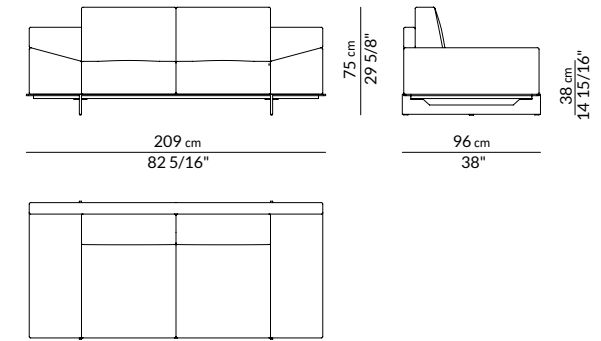
Metal Finish
Polished Gold

Il sofà a tre posti IPANEMA interpreta il massimo comfort attraverso linee rigorose ma delicate, mai rigide. La struttura - rappresentata da un frame in metallo con finitura nichel nero opaco satinato e oro lucido per i piedi - accoglie cuscini seduta corposi e soffici realizzati in fibra di poliestere con inserto in materiale indeformabile a densità differenziata. I cuscini schienale e i braccioli sono realizzati in poliuretano con rivestimento in fibra di poliestere per garantire un sostegno ottimale essere in egual modo morbidi e accoglienti. Per un'extra comfort, i cuscini schienale hanno anche un'imbottitura aggiuntiva in piuma d'oca sterilizzata. Tutti i cuscini seduta e schienale sono sfoderabili.

The three-seater IPANEMA sofa interprets, through rigorous, but delicate and never rigid lines, the comfort at the maximum extent. The structure - made of a metal frame with matt black satin nickel finish and polished gold for the feet - contains full-bodied cushions and soft seats made of polyester fiber with an insert in non-deformable material of different densities. The back cushions and the armrests are made of polyurethane with polyester fiber covering to ensure optimal support and be equally soft and welcoming. For extra comfort, the cushions also have additional sterilized goose down filling.

All cushions and backrests are removable.

SOFA 2 Seats



FABRIC SUPERIOR | SED.IPAA.100.SUP

Structure matt black satin Nickel finish metal with feet in matt gold finish
Fabric Superior

FABRIC DELUXE | SED.IPAA.100.DEL

Structure matt black satin Nickel finish metal with feet in matt gold finish
Fabric Deluxe

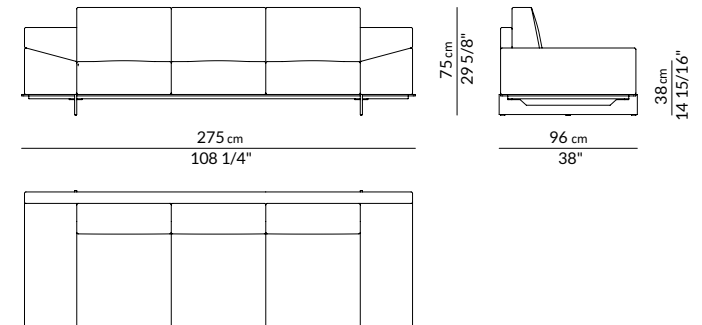
BOVINE LEATHER | SED.IPAA.100.PEL

Structure matt black satin Nickel finish metal with feet in matt gold finish
Bovine Leather

NUBUCK | SED.IPAA.100.NAB

Structure matt black satin Nickel finish metal with feet in matt gold finish
Nubuck

SOFA 3 Seats



FABRIC SUPERIOR | SED.IPAA.110.SUP

Structure matt black satin Nickel finish metal with feet in matt gold finish
Fabric Superior

FABRIC DELUXE | SED.IPAA.110.DEL

Structure matt black satin Nickel finish metal with feet in matt gold finish
Fabric Deluxe

BOVINE LEATHER | SED.IPAA.110.PEL

Structure matt black satin Nickel finish metal with feet in matt gold finish
Bovine Leather

NUBUCK | SED.IPAA.110.NAB

Structure matt black satin Nickel finish metal with feet in matt gold finish
Nubuck



Ipanema Armchair

DESIGN | PAOLO CASTELLI



Finishes of the above picture



Velvet Superior
Velvet A&E
Col. 104 Indigo



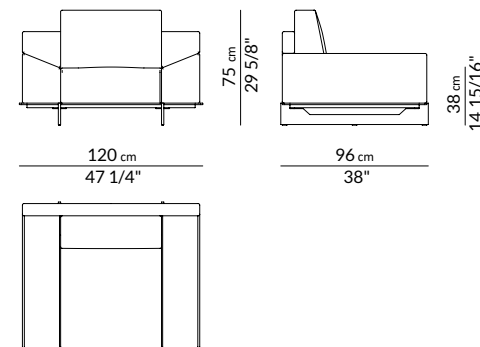
Metal Finish
Black Nickel
Matt



Metal Finish
Polished Gold

La poltrona IPANEMA interpreta il massimo comfort attraverso linee rigorose ma delicate, mai rigide. La struttura - rappresentata da un frame in metallo con finitura nichel nero opaco satinato e oro lucido per i piedi - accoglie cuscini seduta corposi e soffici realizzati in fibra di poliestere con inserto in materiale indeformabile a densità differenziata. I cuscini schienale e i braccioli sono realizzati in poliuretano con rivestimento in fibra di poliestere per garantire un sostegno ottimale essere in egual modo morbidi e accoglienti. Per un extra comfort, i cuscini schienale hanno anche un'imbottitura aggiuntiva in piuma d'oca sterilizzata. Tutti i cuscini seduta e schienale sono sfoderabili.

The IPANEMA armchair interpret, through rigorous, but delicate and never rigid lines, the comfort at the maximum extent. The structure - made of a metal frame with matt black satin nickel finish and polished gold for the feet - contains full-bodied cushions and soft seats made of polyester fiber with an insert in non-deformable material of different densities. The back cushions and the armrests are made of polyurethane with polyester fiber covering to ensure optimal support and be equally soft and welcoming. For extra comfort, the cushions also have additional sterilized goose down filling. All cushions and backrests are removable.



FABRIC SUPERIOR | SED.IPAA.200.SUP

Structure matt black satin Nickel finish metal with feet in matt gold finish
Fabric Superior

FABRIC DELUXE | SED.IPAA.200.DEL

Structure matt black satin Nickel finish metal with feet in matt gold finish
Fabric Deluxe

BOVINE LEATHER | SED.IPAA.200.PEL

Structure matt black satin Nickel finish metal with feet in matt gold finish
Bovine Leather

NUBUCK | SED.IPAA.200.NAB

Structure matt black satin Nickel finish metal with feet in matt gold finish
Nubuck





PAOLO CASTELLI

BOLOGNA
Headquarter

MILAN
Showroom

PARIS
Showroom

CARRARA
Marine Division

HEADQUARTER VIA 1° MAGGIO, 93 | 40064 OZZANO DELL'EMILIA | BOLOGNA - ITALY | TEL. +39 051 4695511 | info@paolocastellispa.com | www.paolocastelli.com