

Designed by OEO Studio

PRODUCT



COLOURS



// Fully upholstered textile // Fully upholstered leather



DESCRIPTION

The Coco Lounge Chair is designed by OEO Studio. With an eye to create a charismatic signature design that offers a high level of comfort.

The Coco Lounge chair base is available in powder coated steel. The seat and back rest is moulded plywood which is fully upholstered.

VERSION - FULLY UPHOLSTERED

- Fully upholstered / Black powder coated base // - / RAL 9005, gloss level 3-5

CHAIR VERSION

Order item - look for part number in the pricelist.

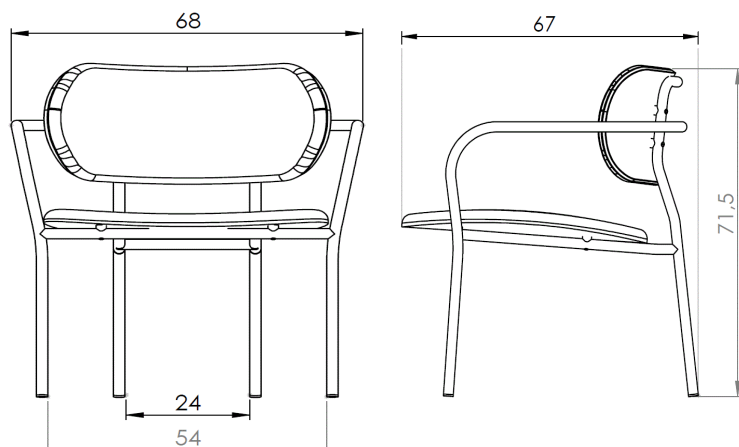
The series consists of the following:

COCO DINING CHAIR - Black Base

COCO DINING CHAIR WITH ARMREST - Black base

COCO BAR CHAIR - Black base

COCO LOUNGE CHAIR WITH ARMREST - Black base



FACTS

MEASUREMENT - L X W X H MM

Sitting height: 40 cm

Seat diameter: Ø 55 cm

Frame width: 68 cm

Frame depth: 67 cm

Chair height: 71,5 cm

WEIGHT ITEM

9 kg

PACKAGING TYPE

Cardboard box

PACKAGING MEASUREMENT - L X W X H CM

L:72 X W:70 X H:76 CM

WEIGHT PACKAGING - MATERIAL TYPE

- Delivery note: 5 g
- Cardboard box, FEFCO quality EB85BB: 2200 g
- Polybag PE: 200 g
- LD-EPE foam protector: 100 g
- Strapping: 10 g

WEIGHT PACKAGING

2,5 kg

WEIGHT - TOTAL

11,5 kg

NUMBER OF PARCELS

1 pcs.

Fabric consumption

Fabric consumption Seat and Back - 0, 87M

Leather consumption - 1,67m²

ACCESSORIES

-Plastic glides are standard

CLEANING AND MAINTENANCE

For cleaning the upholstered surface, first try to brush off the dirt gently. If this is not enough then vacuum the surface.

If further cleaning of the padding is needed, a stain remover is recommended. The cleaning has to be gentle and must always be tested on the most invisible area of the surface before the actual cleaning. Avoid blotches by gentle, circular rubbing towards the stain.

To avoid stains, quickly remove the dirt with a piece of absorbing household wipe and clean with water and colourless washing-up liquid.

Do not use the following products for the padding:

- Undiluted cleaning liquids.
- Bleach.
- Ammoniac.
- Soap for hard surfaces.

For dusting and light cleaning of the frame use a soft, dry cloth.

For further cleaning of the frame, use a soft cloth that is firmly wrung in clean water for gently wiping the surface, and then immediately use a dry cloth to wipe the surface again.

If more thorough cleaning is necessary, use a mild detergent or washing-up liquid dissolved in water on a firmly wrung cloth to wipe the seat. Afterwards, repeat the process with clean water as described above.

Polish with a soft cloth after wiping.

Do not use materials for maintenance that:

- Contain abrasive agents.
- Are basic, acidiferous or organic.

For the best maintenance of the product, protect it against sunlight and heat, and try to keep it away from moisture, grease and other dirt.

Furthermore, protect the surfaces against sharp objects and other that might scratch.

TESTS.

FOAM:

Frontside of backrest foam: HR5050 – 15 mm - Fulfill requirements California Technical Bulletin 117

Backside of backrest foam: VB3842 – 5 mm

Seat foam CH4060 – 25 mm - Fulfill requirements BS5852 Crib 5 certificate