

# Edward

## MODULAR SOFA SYSTEM

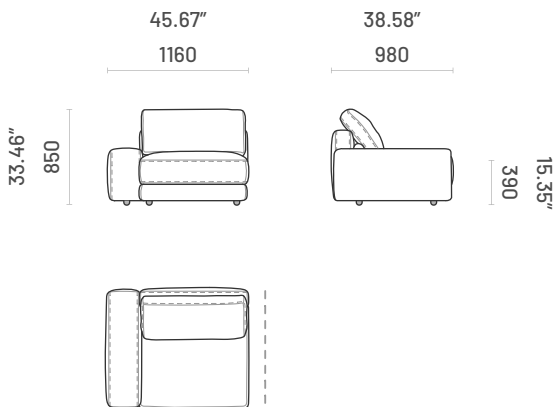
Edward takes inspiration from the desire to retreat from cosmopolitan life. This sofa embodies a modular system with a wide range of elements, allowing you to play with configurations and build a sofa according to your taste, without ever giving up on comfort. This minimalistic design with generous proportions has a distinct character for its versatility, especially when combined with different accessories, such as a magazine rack, a headrest and a side table.



## Specifications

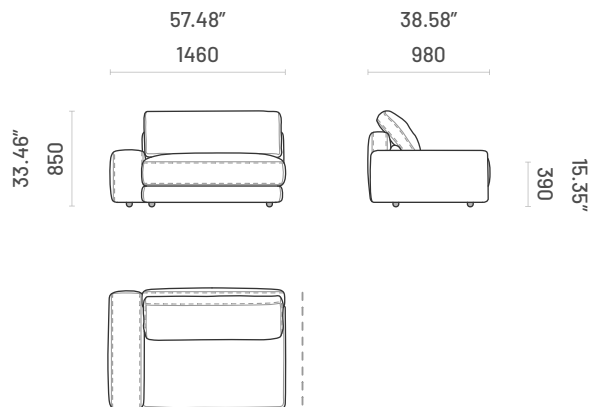
### ED90.BG

End Module - Left Sided and Right Sided



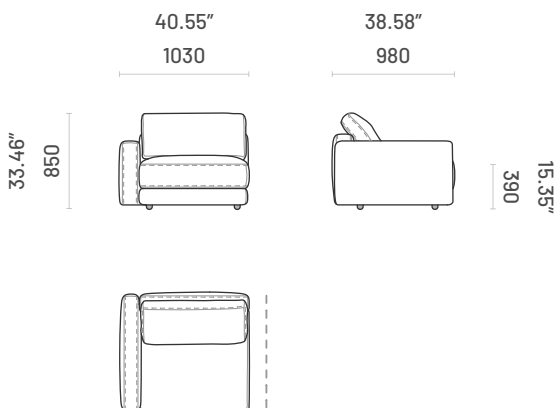
### ED120.BG

End Module - Left Sided and Right Sided



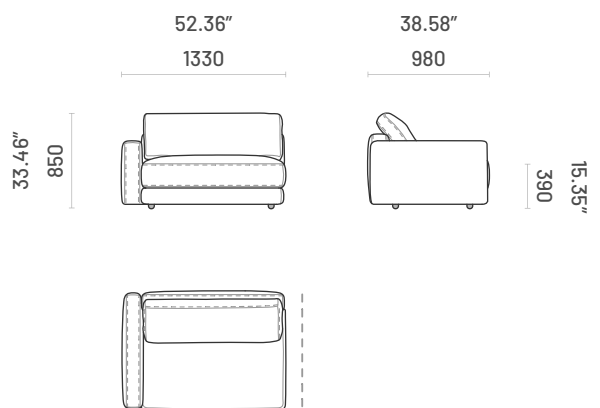
### ED90.BF

End Module - Left Sided and Right Sided

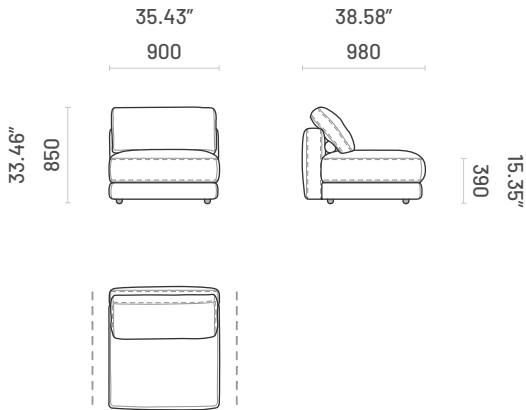


### ED120.BF

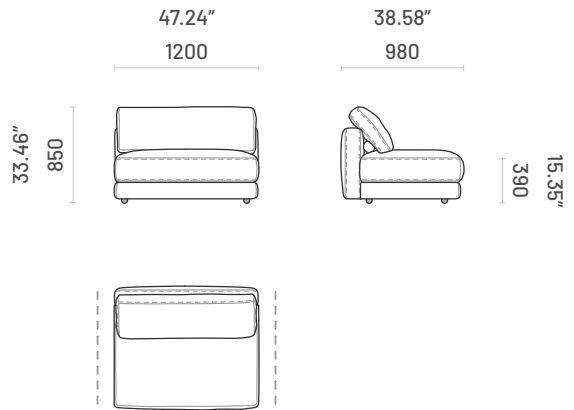
End Module - Left Sided and Right Sided



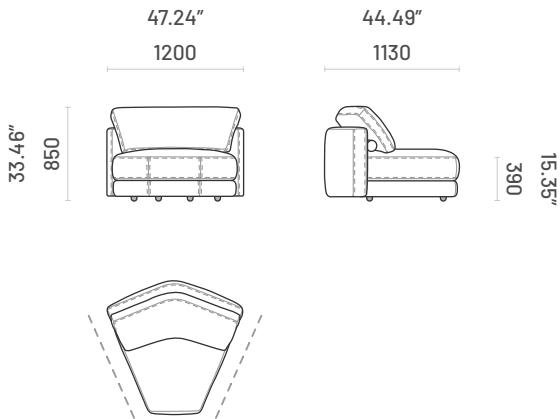
ED90.CC  
Central Module



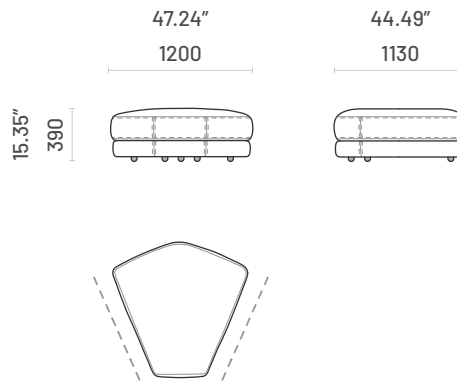
ED120.CC  
Central Module



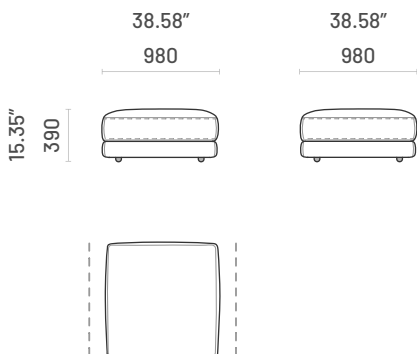
ED.AC  
Angular Central Module  
Headrest accessory (ED.HR) not suitable for this module



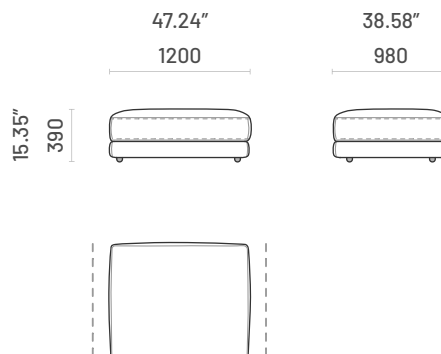
ED.AP  
Angular Central Module



ED90.P  
Pouf Central Module

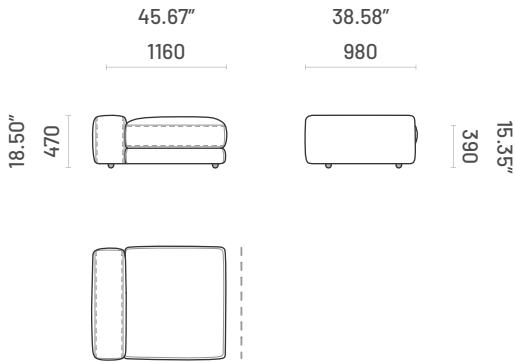


ED120.P  
Pouf Central Module



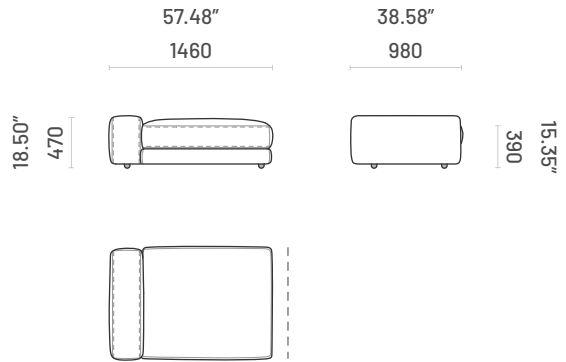
ED90.PG

Pouf with Armrest End Module - Left Sided and Right Sided



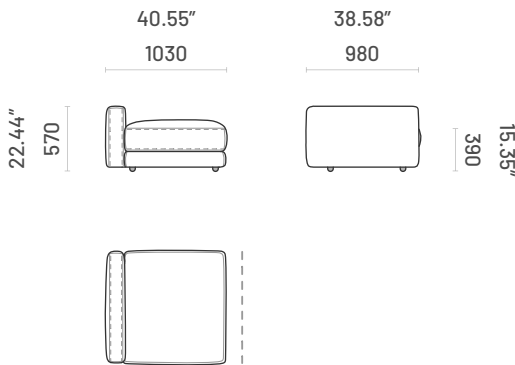
ED120.PG

Pouf with Armrest End Module - Left Sided and Right Sided



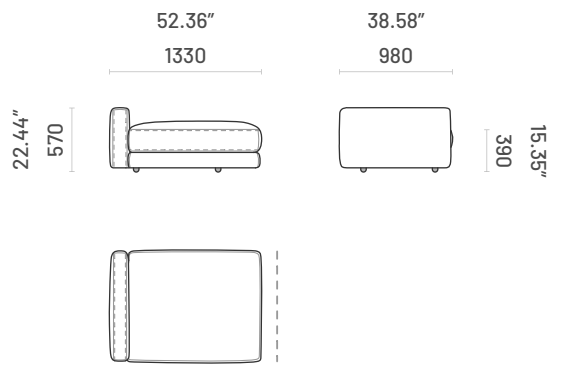
ED90.PF

Pouf with Arm End Module - Left Sided and Right Sided



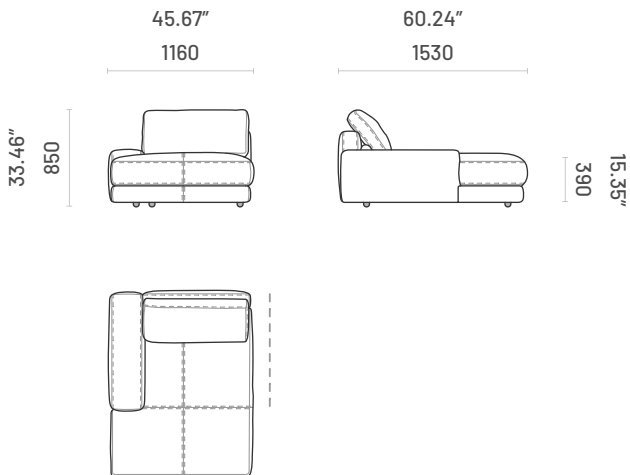
ED120.PF

Pouf with Arm End Module - Left Sided and Right Sided



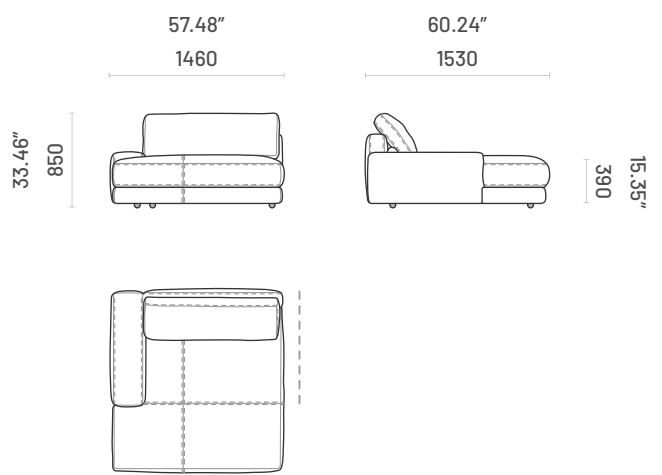
ED90.CLG

Chaise Longue End Module - Left Sided and Right Sided



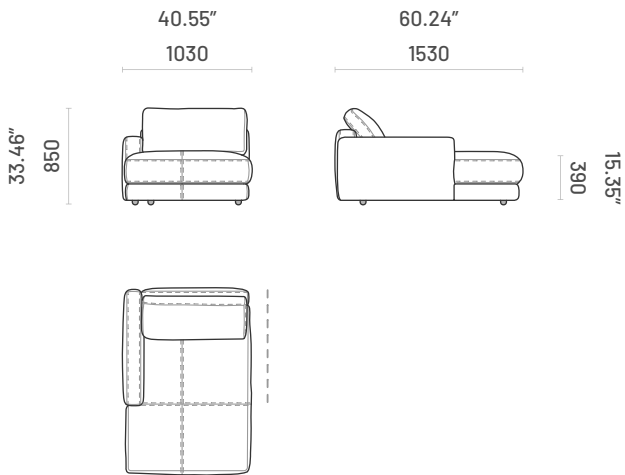
ED120.CLG

Chaise Longue End Module - Left Sided and Right Sided



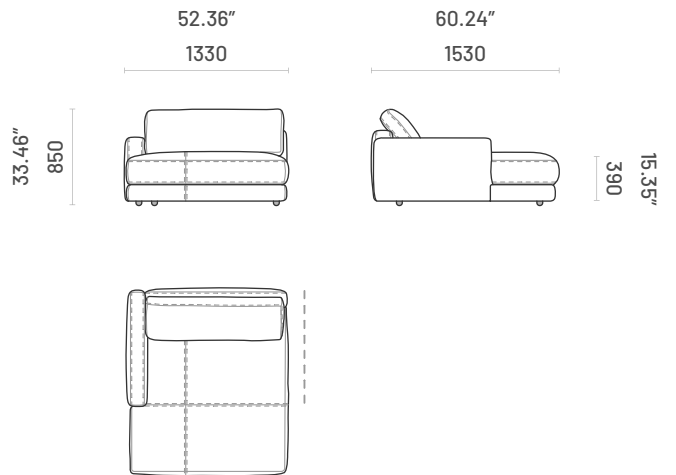
ED90.CLF

Chaise Longue End Module - Left Sided and Right Sided



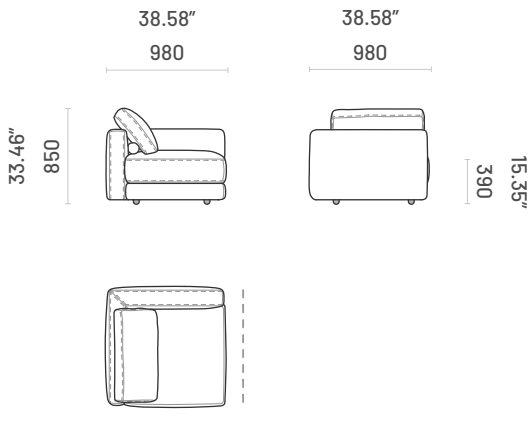
ED120.CLF

Chaise Longue End Module - Left Sided and Right Sided



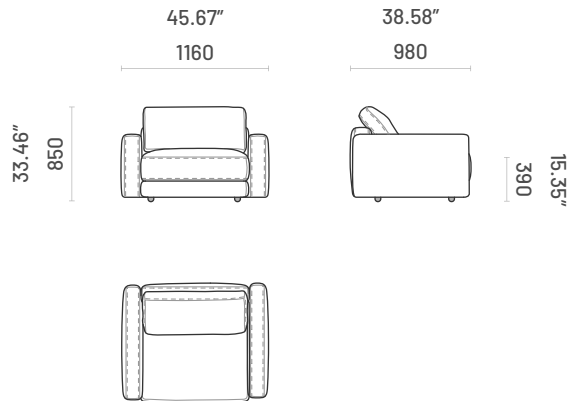
ED90.C

Corner Module



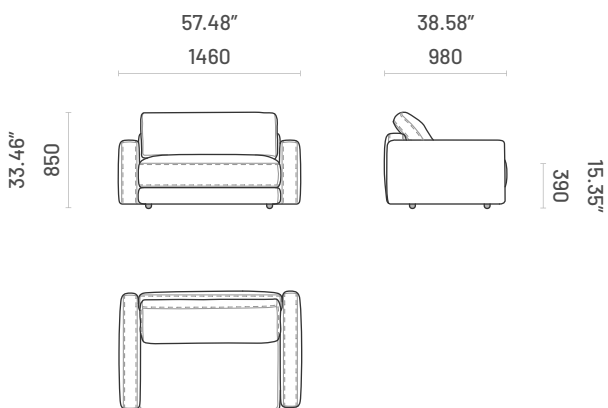
ED90.CF

Armchair



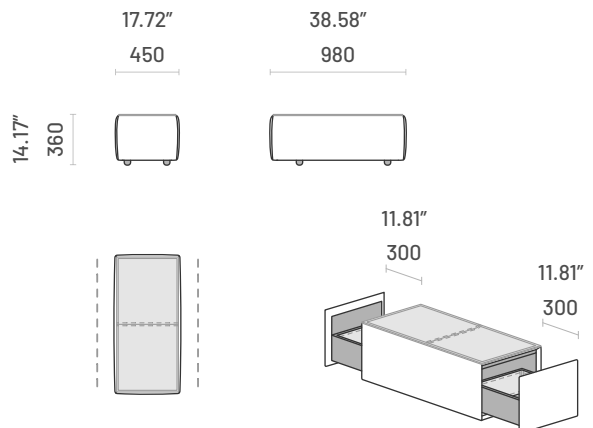
ED120.CF

Armchair



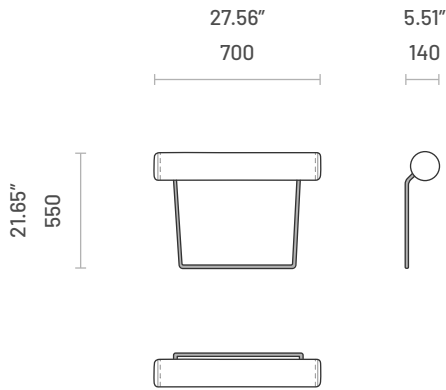
ED.MA.S

Side Table Freestanding or End Module



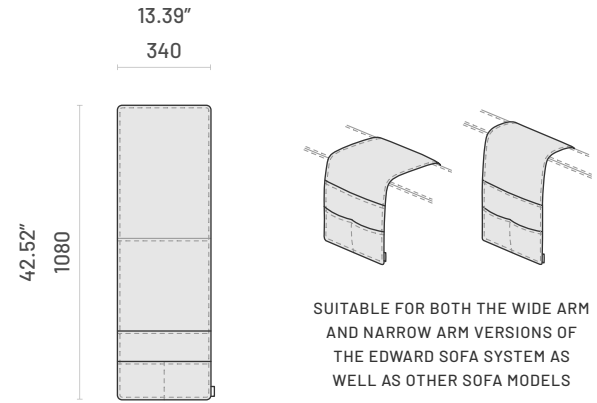
ED.HR

Headrest Accessory



ED.PR

Magazine Rack Accessory



Technical Information

**Frame (Central, End and Armchair Modules)**

Structure: Pine wood and MDF  
 Feet: Plastic

**Padding (Central, End and Armchair Modules)**

Seat Cushion: 18kg/m<sup>3</sup>, 23kg/m<sup>3</sup>, 35kg/m<sup>3</sup>, 40kg/m<sup>3</sup> polyurethane foam, pocket springs and 200gr polyester fiber  
 Back Cushion: 23kg/m<sup>3</sup>, 30kg/m<sup>3</sup> polyurethane foam, mixed polyester staple fiber and 200gr polyester fiber  
 Arms/Back: 23kg/m<sup>3</sup>, 30kg/m<sup>3</sup>, 60kg/m<sup>3</sup> polyurethane foam and 200gr polyester fiber

**Frame (Side Table Module)**

Structure: MDF  
 Feet: Plastic

**Padding (Side Table Module)**

Structure: 23kg/m<sup>3</sup> polyurethane foam

**Frame (Headrest Accessory)**

Structure: Stainless Steel

**Padding (Headrest Accessory)**

Headrest: 23kg/m<sup>3</sup> polyurethane foam

## Materials and Finishes

Overview (Central, End and Armchair Modules)

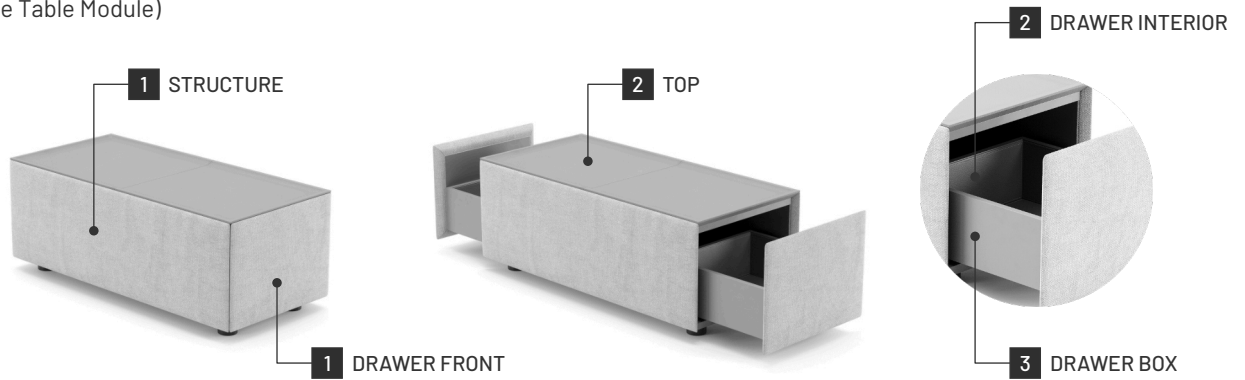


### Available Finishes

	1
<b>Fabrics</b>	
Aldan	●
Arno	●
Astoria	●
Avalon	●
Bergen	●
Brampton	●
Clarence	●
Columbia	●
Devon	●
Galway	●
Helmand	●
Hudson	●
Osaka	●
Provence	●
<b>Synthetic Leathers</b>	
Rupert	●
<b>Natural Leathers</b>	
Albany	—
Aspen	●
Dover	●

## Materials and Finishes

### Overview (Side Table Module)



### Available Finishes

	1	2	3
<b>Fabrics</b>			
Aldan	●	—	—
Arno	●	—	—
Astoria	●	—	—
Avalon	●	—	—
Bergen	●	—	—
Brampton	●	—	—
Clarence	●	—	—
Columbia	●	—	—
Devon	●	—	—
Galway	●	—	—
Helmand	●	—	—
Hudson	●	—	—
Osaka	●	—	—
Provence	●	—	—
<b>Synthetic Leathers</b>			
Rupert	●	●	—
<b>Natural Leathers</b>			
Albany	—	—	—
Aspen	●	—	—
Dover	●	—	—
<b>Lacquers</b>			
Bone	—	—	●
Taupe	—	—	●
Olive	—	—	●
Syrah	—	—	●
Ocean	—	—	●
Black	—	—	●

## Materials and Finishes

### Overview (Headrest Accessory)



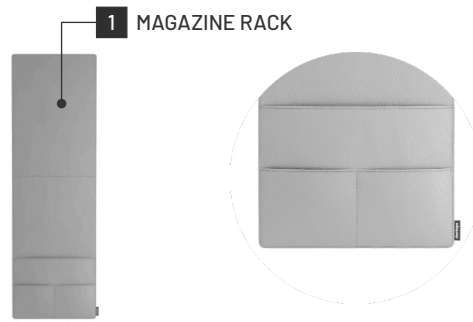
### Available Finishes

	1	2
<b>Fabrics</b>		
Aldan	●	—
Arno	●	—
Astoria	●	—
Avalon	●	—
Bergen	●	—
Brampton	●	—
Clarence	●	—
Columbia	●	—
Devon	●	—
Galway	●	—
Helmand	●	—
Hudson	●	—
Osaka	●	—
Provence	●	—
<b>Synthetic Leathers</b>		
Rupert	●	—
<b>Natural Leathers</b>		
Albany	—	—
Aspen	●	—
Dover	●	—
<b>Frame</b>		
Silver Polished	—	●



## Materials and Finishes

















Overview (Magazine Rack Accessory)



















### Available Finishes

Synthetic Leathers	1
Rupert	•

















Overview

Item	1		2
Edward - ED90.BG.E/D Modules	<b>Fabric</b>  6.20 lm 20.33 ft	<b>Leather</b>  12.40 m2 133.92 ft2	-
Edward - ED120.BG.E/D Modules	<b>Fabric</b>  7.50 lm 24.60 ft	<b>Leather</b>  15.00 m2 162.00 ft2	-
Edward - ED90.BF.E/D Modules	<b>Fabric</b>  6.20 lm 20.33 ft	<b>Leather</b>  12.40 m2 133.92 ft2	-
Edward - ED120.BF.E/D Modules	<b>Fabric</b>  7.50 lm 24.60 ft	<b>Leather</b>  15.00 m2 162.00 ft2	-
Edward - ED90.CC Module	<b>Fabric</b>  5.00 lm 16.40 ft	<b>Leather</b>  10.00 m2 108.00 ft2	-
Edward - ED120.CC Module	<b>Fabric</b>  6.40 lm 21.00 ft	<b>Leather</b>  12.80 m2 138.24 ft2	-
Edward - ED90.C Module	<b>Fabric</b>  5.00 lm 16.40 ft	<b>Leather</b>  10.00 m2 108.00 ft2	-
Edward - ED.AC Module	<b>Fabric</b>  6.50 lm 21.32 ft	<b>Leather</b>  13.00 m2 140.40 ft2	-

Overview

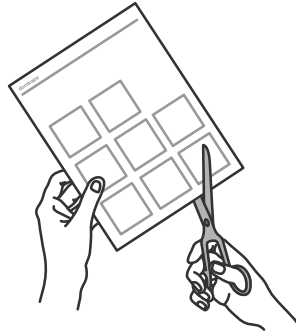
Item	1		2
Edward - ED.AP Module	Fabric  4.50 lm 14.76 ft	Leather  9.00 m2 97.20 ft2	-
Edward - ED90.P Module	Fabric  4.00 lm 13.12 ft	Leather  8.00 m2 86.40 ft2	-
Edward - ED120.P Module	Fabric  4.20 lm 13.77 ft	Leather  8.40 m2 90.72 ft2	-
Edward - ED90.PG.E/D Modules	Fabric  4.00 lm 13.12 ft	Leather  8.00 m2 86.40 ft2	-
Edward - ED120.PG.E/D Modules	Fabric  4.80 lm 15.74 ft	Leather  9.60 m2 103.68 ft2	-
Edward - ED90.PF.E/D Modules	Fabric  4.00 lm 13.12 ft	Leather  8.00 m2 86.40 ft2	-
Edward - ED120.PF.E/D Modules	Fabric  4.80 lm 15.74 ft	Leather  9.60 m2 103.68 ft2	-
Edward - ED90.CLF.E/D Modules	Fabric  7.50 lm 24.60 ft	Leather  15.00 m2 162.00 ft2	-

Overview

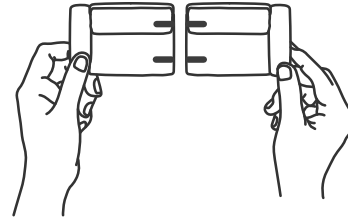
Item	1		2
Edward - ED120.CLF.E/D Modules	<b>Fabric</b>  7.50 lm 24.60 ft	<b>Leather</b>  15.00 m2 162.00 ft2	-
Edward - ED90.CLG.E/D Modules	<b>Fabric</b>  7.50 lm 24.60 ft	<b>Leather</b>  15.00 m2 162.00 ft2	-
Edward - ED120.CLG.E/D Modules	<b>Fabric</b>  7.50 lm 24.60 ft	<b>Leather</b>  15.00 m2 162.00 ft2	-
Edward - ED90.CF Module	<b>Fabric</b>  7.50 lm 24.60 ft	<b>Leather</b>  15.00 m2 162.00 ft2	-
Edward - ED120.CF Module	<b>Fabric</b>  8.50 lm 27.88 ft	<b>Leather</b>  17.00 m2 183.60 ft2	-
Edward - ED.MA.S Module	<b>Fabric</b>  2.50 lm 8.20 ft	<b>Leather</b>  5.00 m2 54.00 ft2	<b>Fabric</b>  1.70 lm 5.57 ft
Edward - ED.HR Accessory	<b>Fabric</b>  1.00 lm 3.28 ft	<b>Leather</b>  2.00 m2 21.60 ft2	-
Edward - ED.PR Accessory	<b>Fabric</b>  3.00 lm 9.84 ft	-	-

# Planner

## Instructions



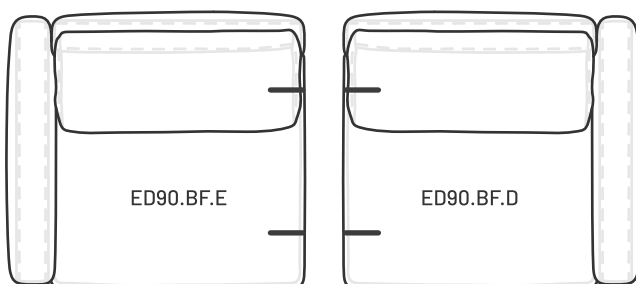
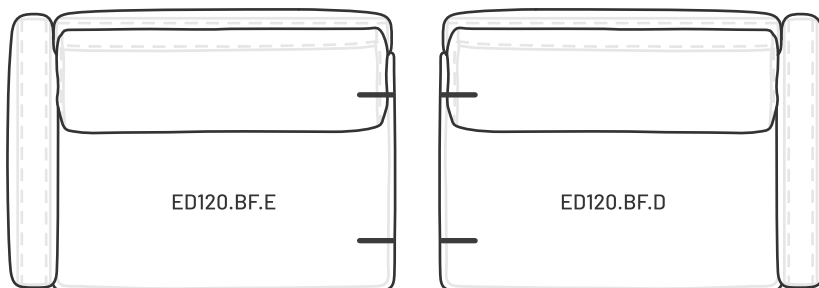
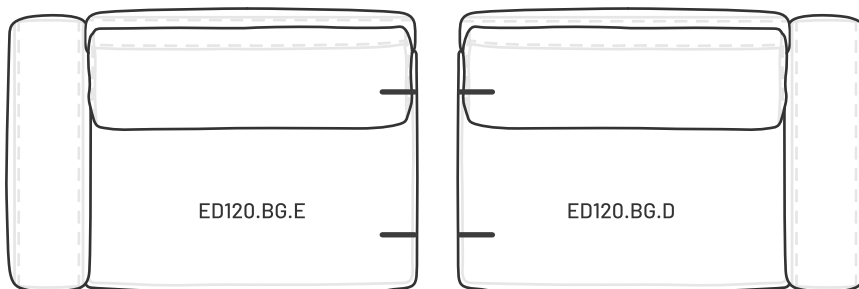
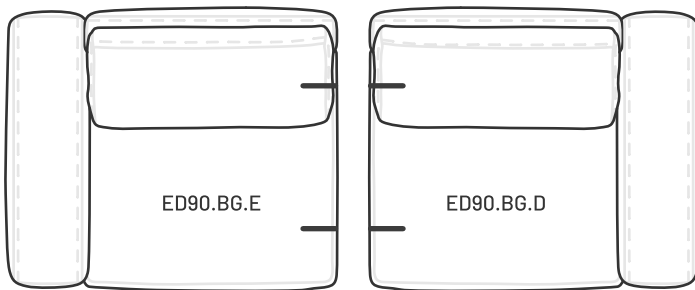
1. CUT OUT THE SOFA ELEMENTS WITH SCISSORS



2. ASSEMBLE THE CUTOUT PIECES USING THE INDICATORS

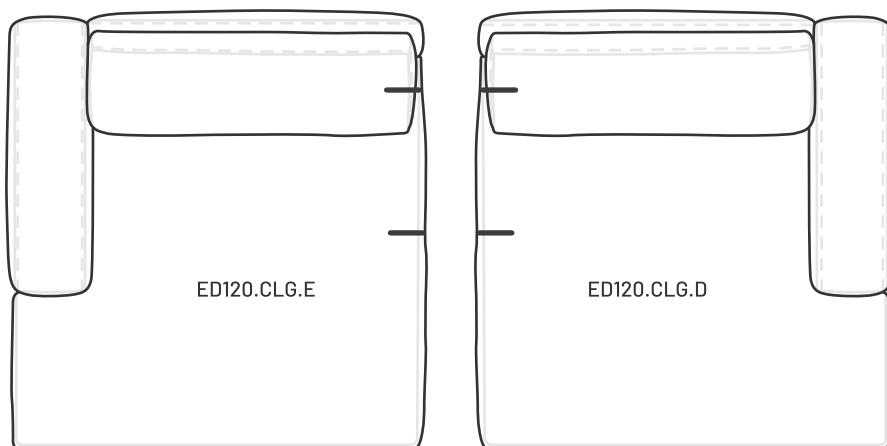
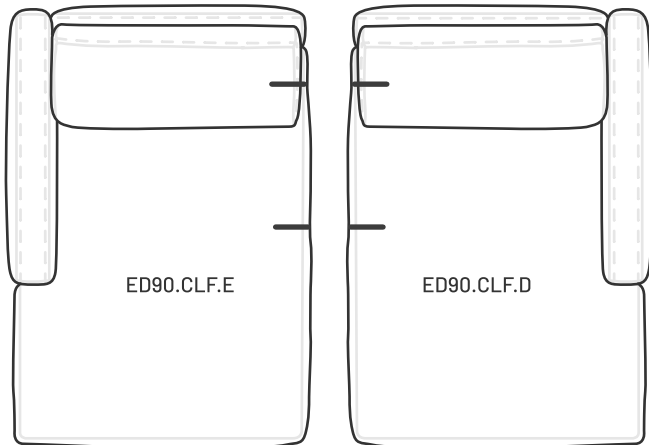
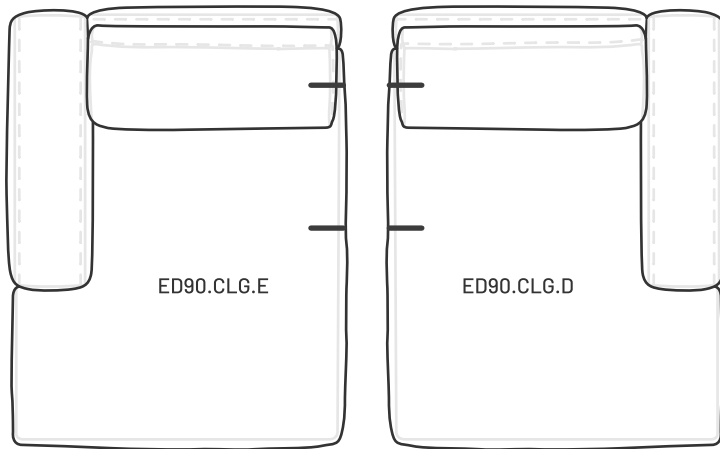
## Modules

### End Modules



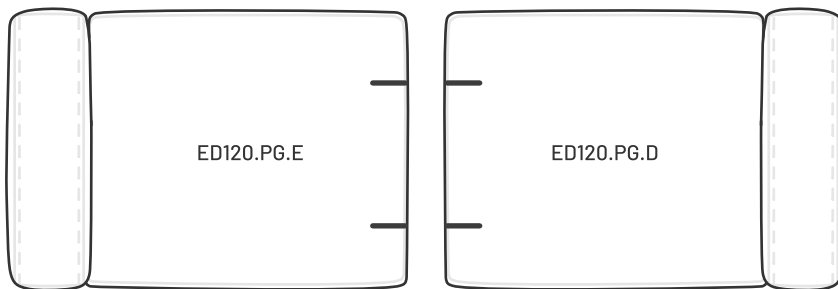
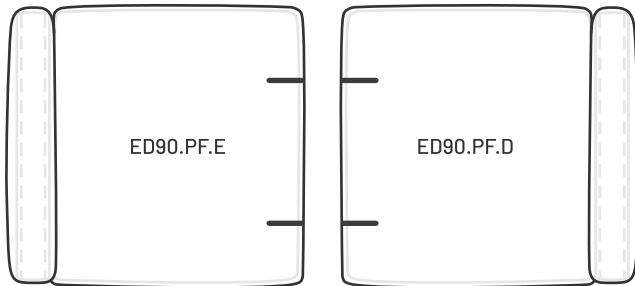
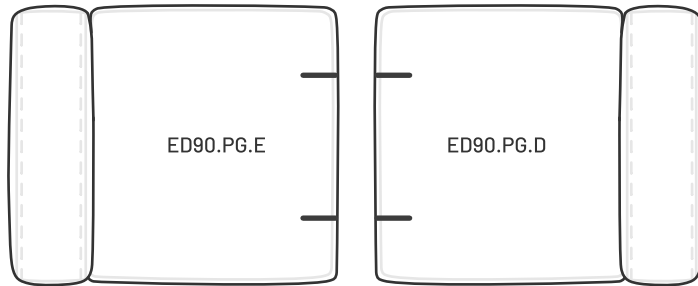
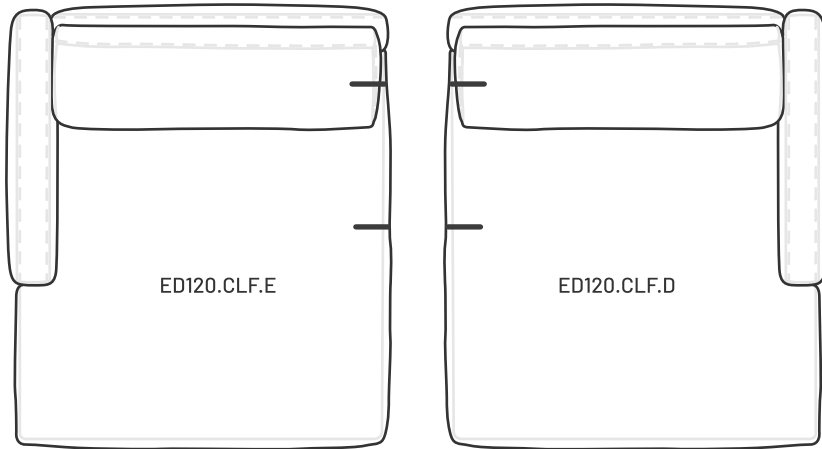
## Modules

### End Modules



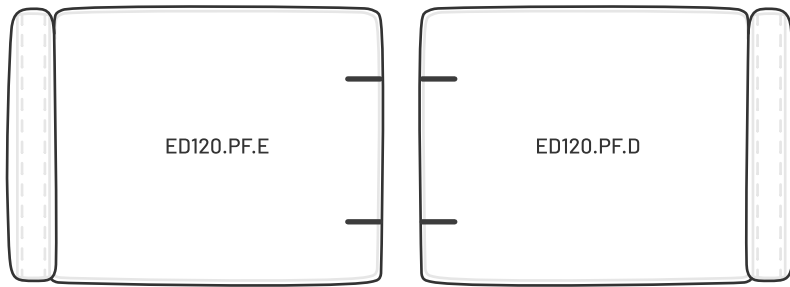
## Modules

### End Modules

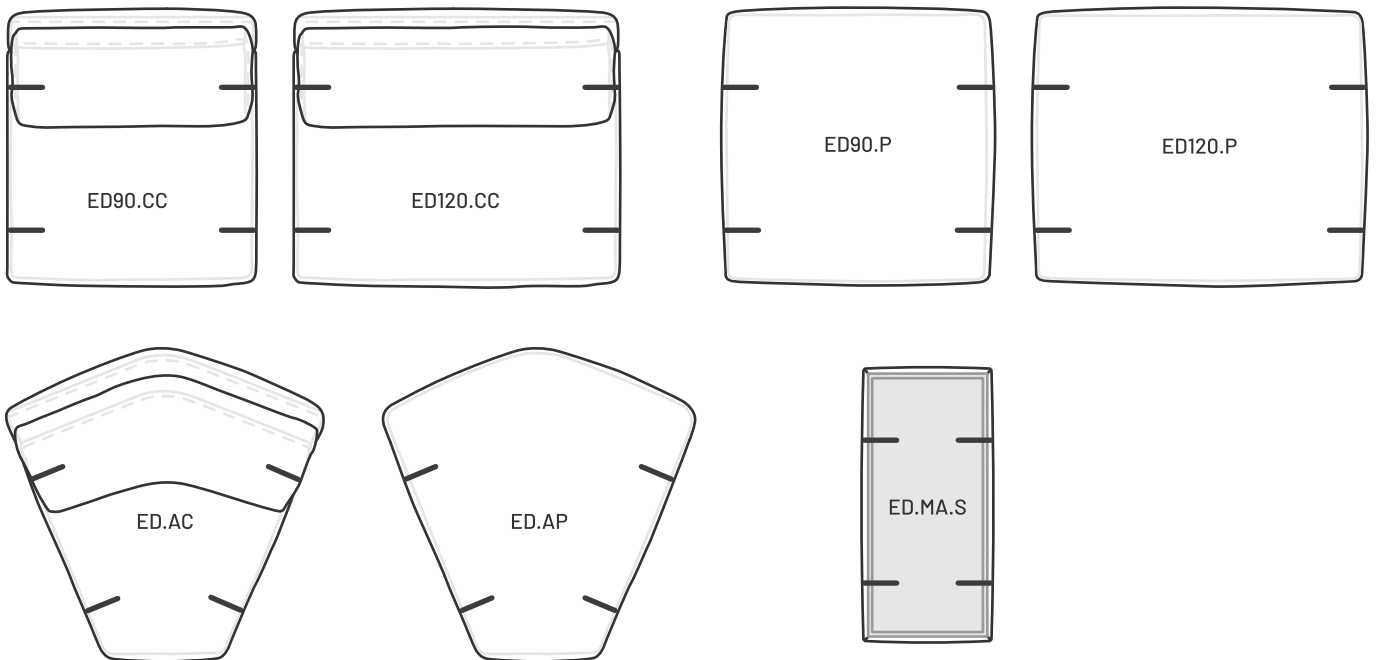


## Modules

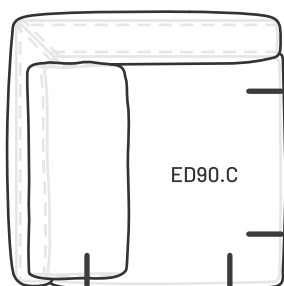
### End Modules



### Central Modules



### Corner Modules





## Modules

### Freestanding Modules

