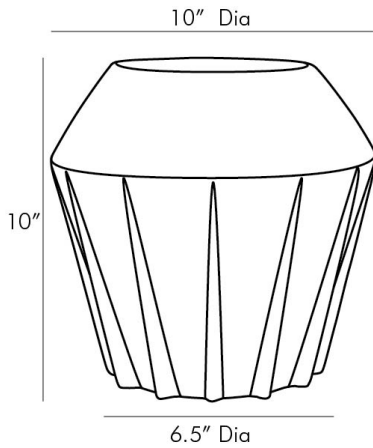


# ARTERIOURS

## Shiloh Vase

#7558



This incredibly unique vase comes from inspirations in industrial design, likely to have origins in the brilliant models of machinery in the early 20th century. Though the gunmetal glaze gives it this signature industrial look, the contrasting fins and dual-tapered shape add to its style. The fins feature a ivory crackled glaze, which has a slight mint tone due to the natural reaction in collaboration with the gunmetal finish. finish will vary

### General

Primary Finish

Gunmetal

### APPEARANCE

Finish Will Vary

Yes

Appearance Finish

Gunmetal, Ivory

### DIMENSION

Foot Print Diameter

16.51CM

### INFO

Features

Water Tight

### SHIPPING

Gross Weight 1 Outbound

5.5

Net Weight

6

Shipping Box 1 Height

30.48CM

Shipping Box 1 Length

30.48CM

Shipping Box 1 Width

30.48CM