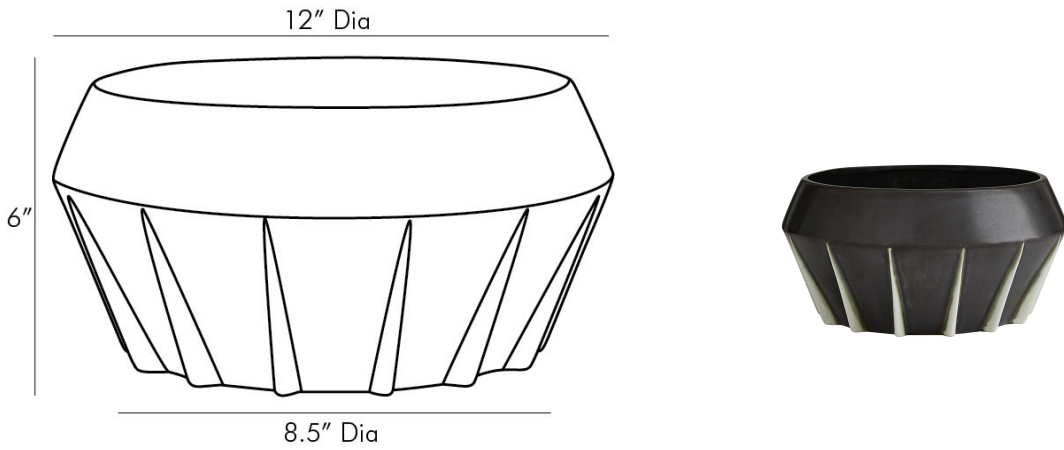


ARTERIOURS

Shiloh Centerpiece

#7557



This incredibly unique centerpiece comes from inspirations in industrial design, likely to have origins in the brilliant models of machinery in the early 20th century. Though the gunmetal glaze gives it this signature industrial look, the contrasting fins and dual-tapered shape add to its style. The fins feature a ivory crackled glaze, which has a slight mint tone due to the natural reaction in collaboration with the gunmetal finish. finish will vary

General

Primary Finish Gunmetal
 Appearance Finish Gunmetal, Ivory

APPEARANCE

Finish Will Vary Yes

DIMENSION

Foot Print Diameter 21.59CM

INFO

Features Water Tight

SHIPPING

Gross Weight 1 Outbound 23.25
 Net Weight 5
 Shipping Box 1 Height 20.32CM
 Shipping Box 1 Length 35.56CM
 Shipping Box 1 Width 35.56CM