

# NUURA



## MIIRA TABLE - Opal

Design: Sofie Refer, 2018. US-model.

**Miira Table in mouth blown Opal White glass and Rock Grey finish.**

The significant details of Miira are the fine curves and thin neck that gives a graceful appearance.

The Miira Collection features mouth blown glass globes in both Opal White and Optic Clear. The Optic glass has slight variances due to the handmade process, which makes each piece unique.

Miira collection is designed with the chandelier as a centre and expands into a complete series of lights, manufactured in the highest quality.

**Miira Table** is an elegant yet simplistic table light, that works with a wide variety of uses.

### **Miira collection:**

The Miira collection include the following products:

**Miira 1:** Rock Grey/Brass - Opal/Optic clear

**Miira 1 Large:** Rock Grey/Brass - Opal

**Miira 3 Large:** Rock Grey - Opal

**Miira 4:** Rock Grey/Brass - Opal/Optic Clear

**Miira 6:** Rock Grey - Opal/Optic Clear

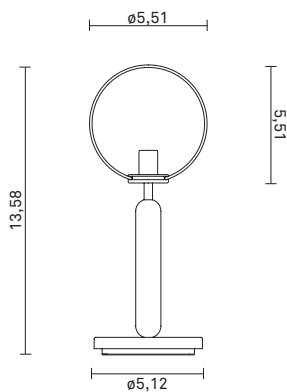
**Miira 6 Large:** Rock Grey - Opal/Optic Clear

**Miira 13:** Rock Grey - Opal/Optic Clear

**Miira 13 Large:** Rock Grey - Opal

**Miira Wall:** Rock Grey - Opal/Optic Clear

**Miira Table:** Rock Grey - Opal/Optic Clear



# NUURA

## TECHNICAL INFO

**Product no.:** 95530224

**Type:** Table Light - Indoor

**Colour:**

Glass: Opal White

Metal: Rock Grey

Cable: Black

**Materials:**

Powder coated metal

Mouth-blown glass

Fabric covered cable

**Dimensions:**

ø5,51in x 13,58in

Fabric cable - Length: 78,74in

**Product weight:**

Product: 1927 g

**Packaging:**

Dimensions: L: 16,5in x W: 6,1in x H: 5,71in

Weight: 441 g

Total weight incl. product: 2368 g

Number of parcels: 1

Material: Brown cardboard.

**Packaging - weight - material:**

Cardboard outside: 175 g

Cardboard inside: 247 g

Bubble wrap: 6 g

Plastic bag: 13 g

**Cleaning:**

Use a soft dry cloth to clean the product.

Do not use household cleaners.

**Certifications and labels:**

CE - CE-certified

IP20 - IP20

□ - Class II

This fixture is fabricated with UL rated components, but the fixture itself is not UL listed. This option may be available for an additional fee.

**Light source:**

Socket: G9

Max wattage: 7W LED (Bulb not included)

Voltage (V): 120V

**Recommended light source:**

Equivalent to Illumination G9 (344-09), 3.6W

**Dimmability:**

Can be fitted with an aligned dimmer.

**DALI compatible - On request**



## Safety instructions

Important! Before commencing installation work disconnect the main cable from the power supply - remove fuse or turn switch to "OFF"!

1. Installation should be carried out in accordance with the local safety regulations.
2. In order to prevent damage, please check walls for cables before drilling holes.
3. Please ensure that all electrical connections (even pre-assembled lamps) are screwed tightly or are fully inserted as good contact is essential for a long life-span at high currents. Please check for tight connections after changing or adjusting lamps. Screwed connections must be tightened after 20 minutes.
4. Please do not place objects on your system (e.g. for decorative purposes) if they were not delivered with the system.
5. The lamps get very hot when in use. Please allow lamps to cool down before touching.
6. Do not change lamps or spots when switched on.
7. System should not be enlarged with additional lamps.
8. We reserve the right to technical alterations.

Please keep these instructions.

Fitting: G9

Use of a dimmer is highly recommended  
(Must be compatible with type of bulb.)

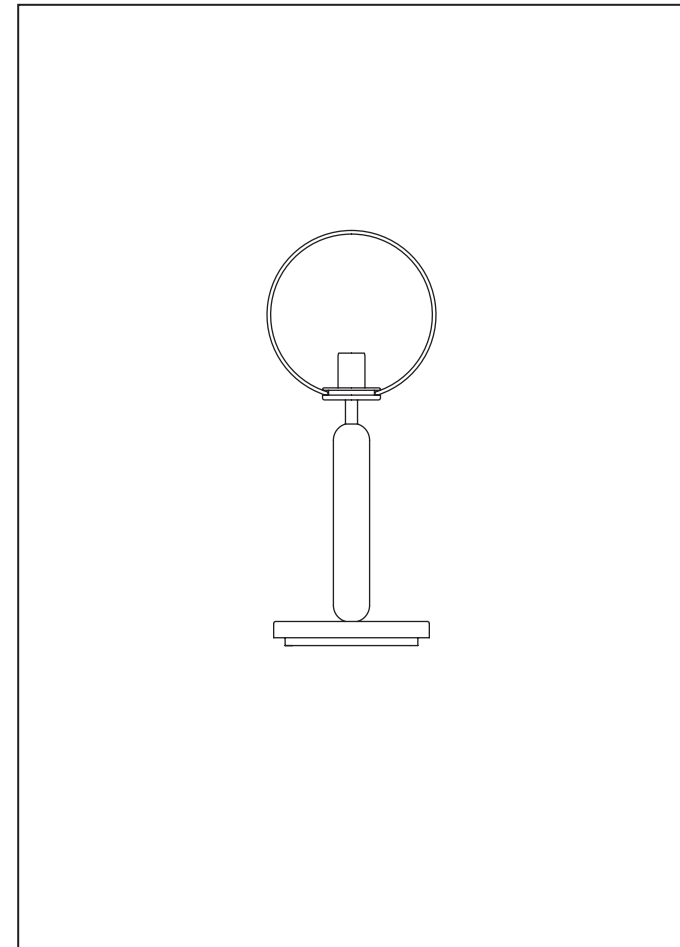
The glass used for this lamp is hand-blown.

Only 1st. quality has been chosen.

Air bubbles and variations in thickness and colour is normal.

# Miira Table

## Assembly Instructions



NUURA

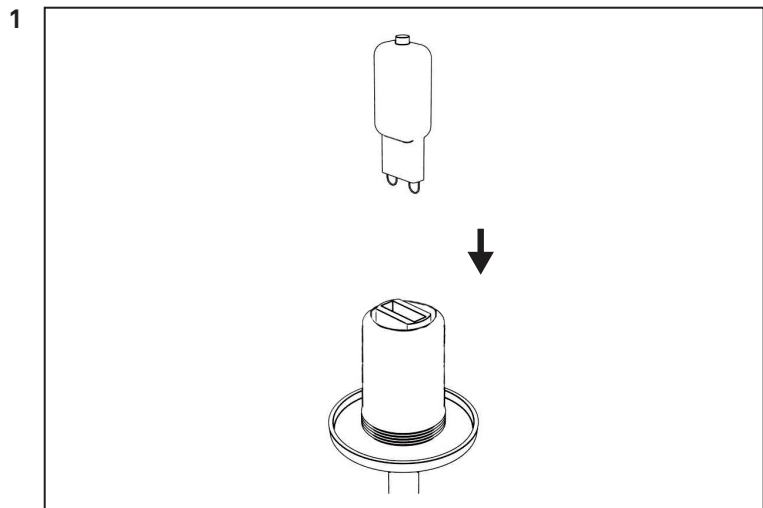
www.nuura.com  
info@nuura.com

CE

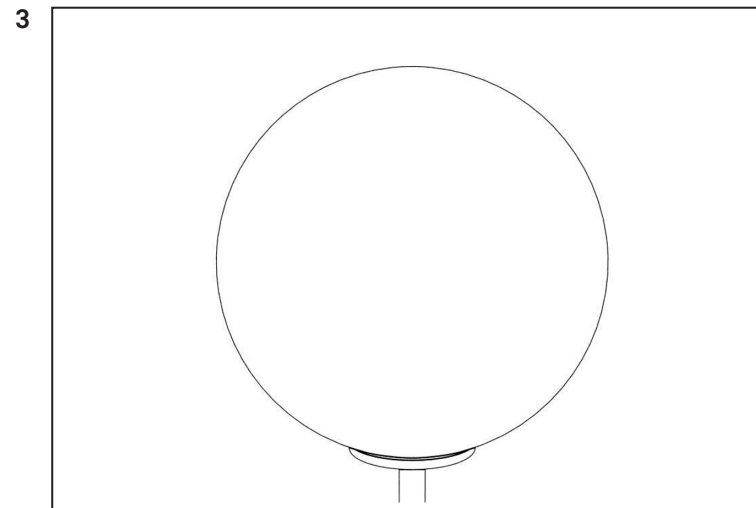
© 2018 All rights reserved

NUURA

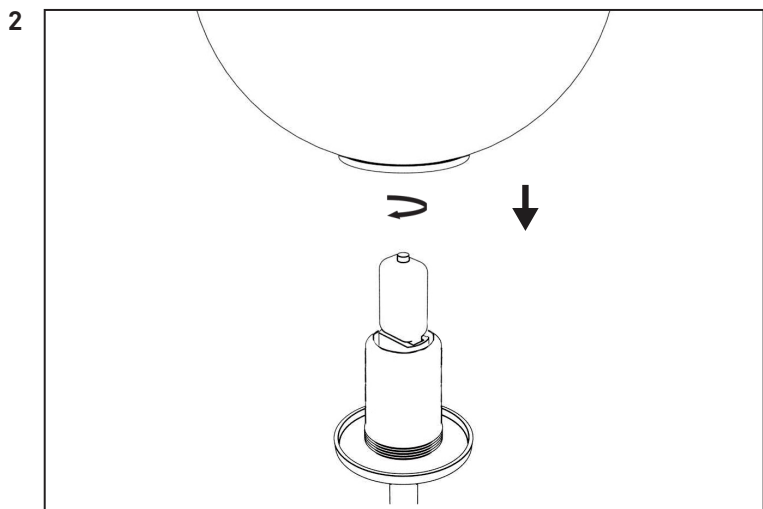
© 2018 All rights reserved



Place a G9 light bulb in the socket.



Completed.



Take the glass globe and carefully place it over the light bulb. Fixate it by turning the glass globe clockwise.