

NUURA



BLOSSI 8

Design: Sofie Refer, 2018. US-model.

Blossi 8 in mouth blown Clear glass and Nordic Gold finish. Incl. Ceiling plate.

Inspired by the golden light during the Nordic fall, Blossi Collection is designed to give an indirect and soft light.

A special recessed LED provides a soft light reflected in the metallic finish of the shade. Blossi Collection has beautifully rounded glass lampshades that complete the soft appearance.

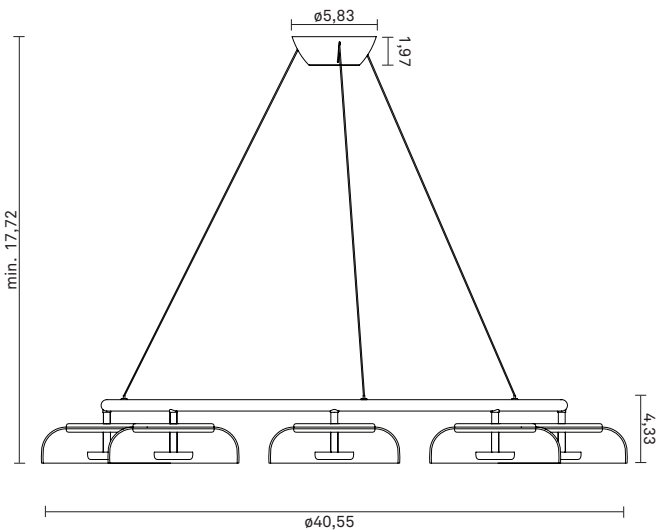
The Blossi collection has a wide variety of uses and is suitable for both domestic and public spaces.

Blossi 8 is a statement chandelier, suitable for both domestic and public spaces. The chandelier is perfect for a living space or entry where you aren't awarded the luxury of high-ceilings.

Blossii collection:

The Blossi collection include the following products:

- Blossi 1
- Blossi Wall/Ceiling
- Blossi Table
- Blossi Table In-Set Table
- Blossi Floor $\phi 23$
- Blossi Floor $\phi 29$
- Blossi 8



NUURA

TECHNICAL INFO

Product no.: 96080121

Type: Suspension - Indoor

Colour:

Glass: Clear
Metal: Nordic Gold
Cable: Clear

Materials:

Powder coated metal
Mouth-blown glass
Plastic cable

Dimensions:

ø40,55in x min. 17,72in
Ceiling plate: ø5,83in x 1,97in
Fabric cable - Length: 98,43in

Product weight:

Product incl. ceiling: 8920 g
Ceiling plate: 355 g

Packaging:

Dimensions: L: 40,55in x W: 39,76in x H: 9,06in
Weight: 3952 g
Total weight incl. product: 12872 g
Number of parcels: 1
Material: Brown cardboard.

Packaging - weight - material:

Cardboard outside: 2800 g
Cardboard inside: 960 g
Bubble wrap: 192 g
Plastic bag: 5 g

Cleaning:

Use a soft dry cloth to clean the product.
Do not use household cleaners.

Certifications and labels:

CE - CE-certified
IP20 - IP20
□ - Class II

This fixture is fabricated with UL rated components, but the fixture itself is not UL listed. This option may be available for an additional fee.

Light source:

6W Integrated LED / A+
Lumen: 630 lm
Colour Temp.: 2700 Kelvin
CRI: >Ra90
Voltage (V): 120V

Dimmability:

Can be fitted with a standard trailing edge dimmer.

DALI compatible

Included ceiling plate:



Safety instructions

Important! Before commencing installation work disconnect the main cable from the power supply - remove fuse or turn switch to "OFF"!

1. Installation should be carried out in accordance with the local safety regulations.
2. In order to prevent damage, please check walls for cables before drilling holes.
3. Please ensure that all electrical connections (even pre-assembled lamps) are screwed tightly or are fully inserted as good contact is essential for a long life-span at high currents. Please check for tight connections after changing or adjusting lamps. Screwed connections must be tightened after 20 minutes.
4. Please do not place objects on your system (e.g. for decorative purposes) if they were not delivered with the system.
5. The lamps get very hot when in use. Please allow lamps to cool down before touching.
6. Do not change lamps or spots when switched on.
7. System should not be enlarged with additional lamps.
8. We reserve the right to technical alterations.

Please keep these instructions.

Europe: Integrated LED - Voltage: 230 VAC

North America: Integrated LED - Voltage: 120 VAC

Use of a dimmer is highly recommended

(Must be LED compatible.)

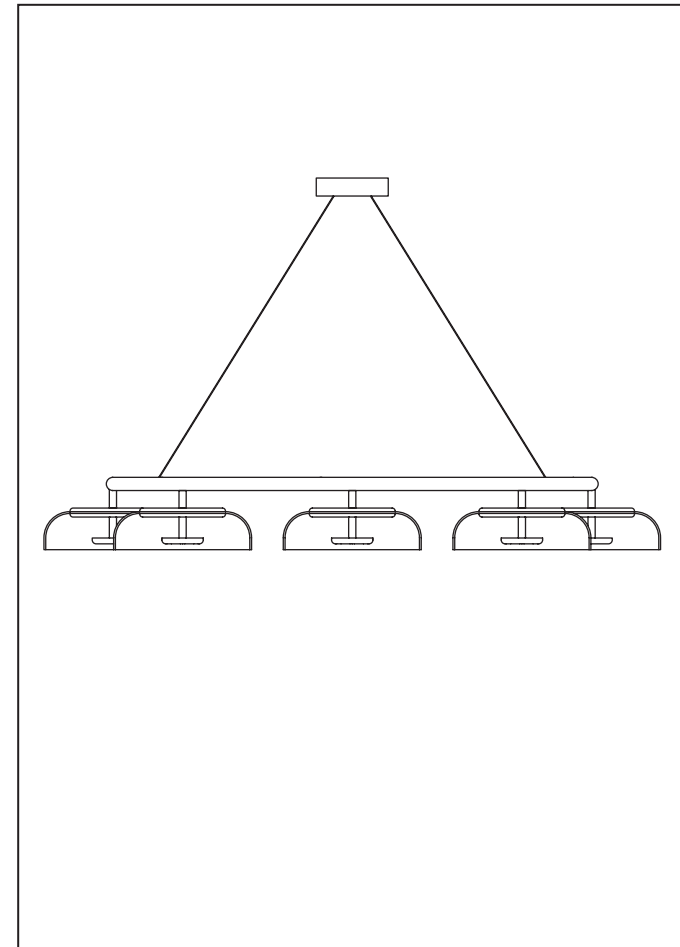
The glass used for this lamp is hand-blown.

Only 1st. quality has been chosen.

Air bubbles and variations in thickness and colour is normal.

Blossi 8

Assembly Instructions



NUURA

www.nuura.com
info@nuura.com

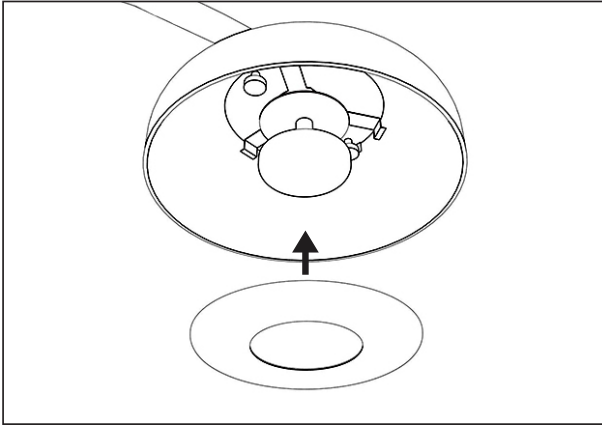
CE

© 2018 All rights reserved

NUURA

© 2018 All rights reserved

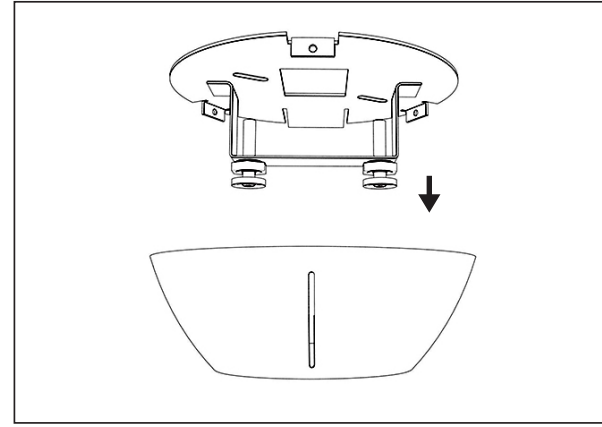
10



Attach the inner plate by carefully sliding it up and let the magnets fixate the plate to the lamp.

NB: Place your hands on bottom of the plate, when sliding it up towards the lamp.

1

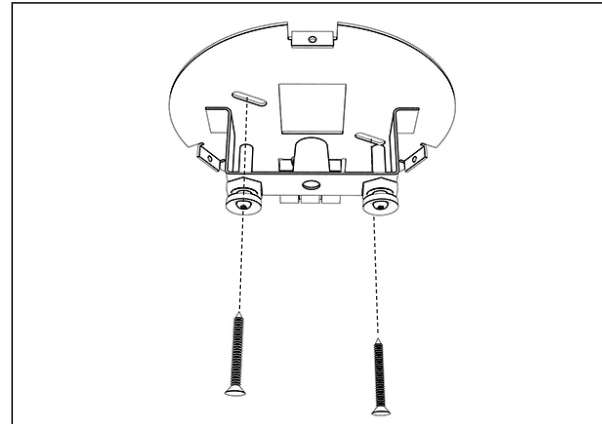


Remove the cover plate from the mounting plate by pulling them apart by hand.

Please note that cover plate is fixed to the mounting plate via strong magnets.

NB: Do not use tools as they can scratch the cover plate.

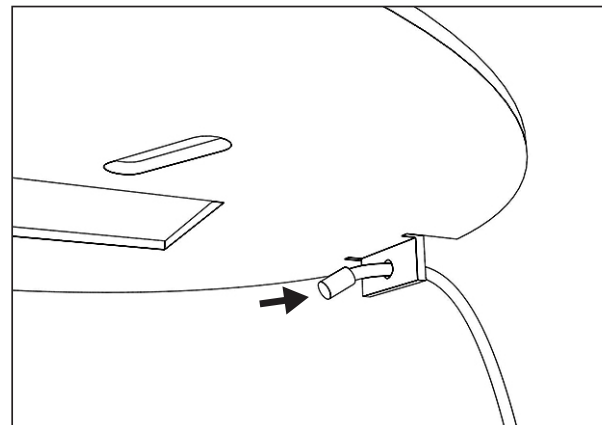
2



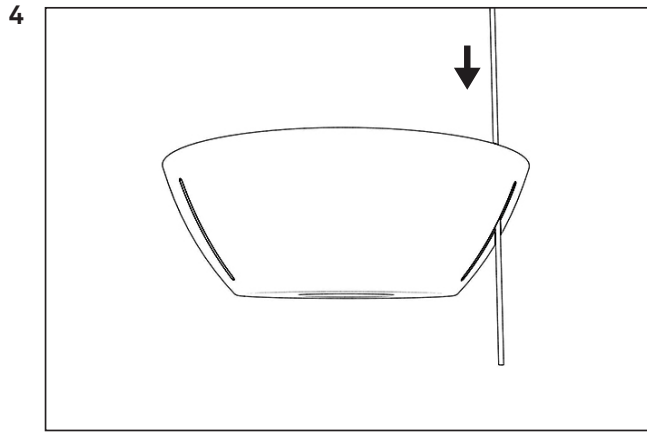
Fixate the mounting plate to the ceiling with screws.

Please make sure it is fixated properly.

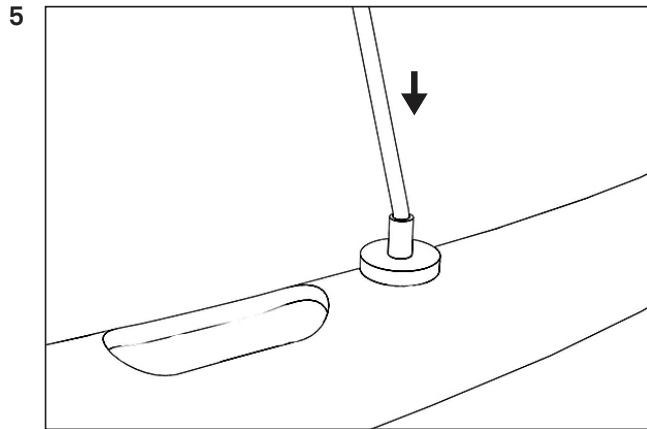
3



Lead the three wires through the holes in the mounting plate.



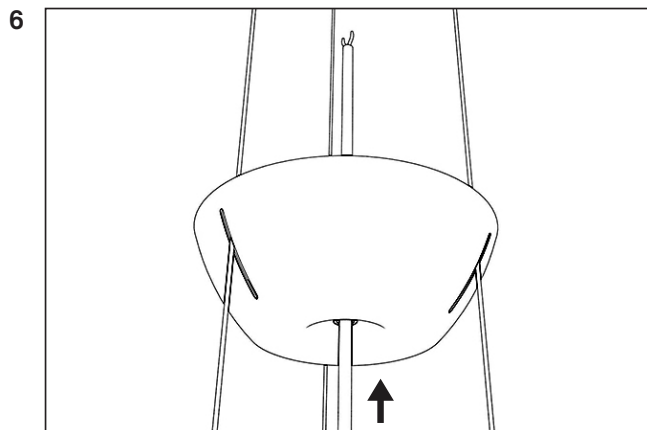
Lead the wires through the top of the cover plate.



Lead the wires through the three wire locks on the ring. The locks will automatically keep the wires in place.

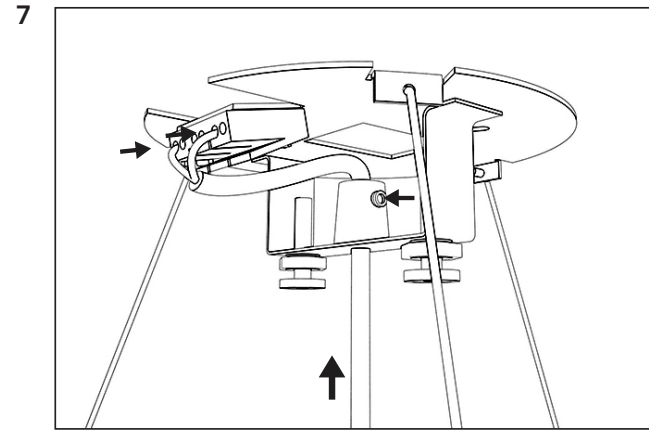
Adjust the chandelier until you have reached the desired height.

NB: Be carefull not to let the cover plate touch the magnets on the mounting plate while adjusting the chandelier.



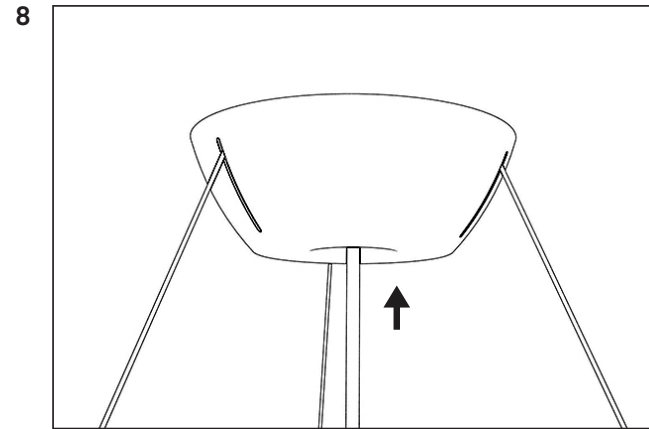
Lead the cable through the bottom of the cover plate.

Cut the cable to desired length.



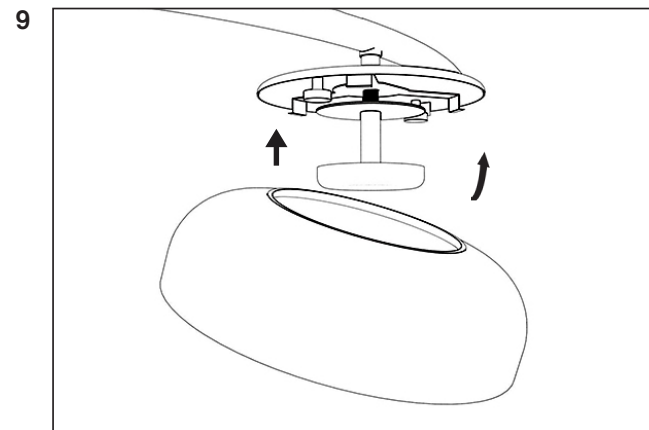
Lead the cables through the cable relief and fixate the cable by carefully turning the screw clockwise.

Lead the ends of the cables into the cable connector. Place the brown wire-end in one of the two holes in "L", place the blue wire-end in one of the two holes in "N"
Connect the power cable in the same manner.



Attach the cover plate to the mounting plate by carefully sliding cover plate up and let the magnets fixate it.

NB: Place your hands on the side or bottom of the cover plate, when sliding it up towards the mounting plate.



Attach each glass by fixingat them with the three hooks located inside each of the 8 lamps.

Please make sure the glass is properly fixated before continuing.