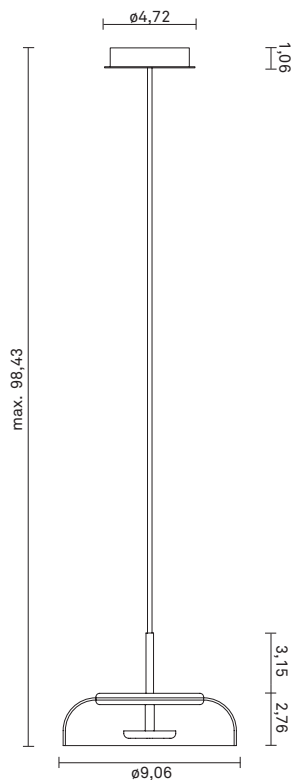


NUURA



BLOSSI 1

Design: Sofie Refer, 2018. US-model.

Blossi 1 in mouth blown Clear glass and Nordic Gold finish. Incl. Ceiling plate.

Inspired by the golden light during the Nordic fall, Blossi Collection is designed to give an indirect and soft light.

A special recessed LED provides a soft light reflected in the metallic finish of the shade. Blossi Collection has beautifully rounded glass lampshades that complete the soft appearance.

The Blossi collection has a wide variety of uses and is suitable for both domestic and public spaces.

Blossi 1 works perfectly as a single pendant or more pendants in lines or grouped over a table or desk.

Blossii collection:

The Blossi collection include the following products:

- Blossi 1
- Blossi Wall/Ceiling
- Blossi Table
- Blossi Table In-Set Table
- Blossi Floor ø23
- Blossi Floor ø29
- Blossi 8

NUURA

TECHNICAL INFO

Product no.: 96310121

Type: Suspension - Indoor

Colour:

Glass: Clear
Metal: Nordic Gold
Cable: Black

Materials:

Powder coated metal
Mouth-blown glass
Fabric covered cable

Dimensions:

ø9,06in x 5,91in
Ceiling plate: ø4,72in x 1,97in
Fabric cable - Length: 98,43in

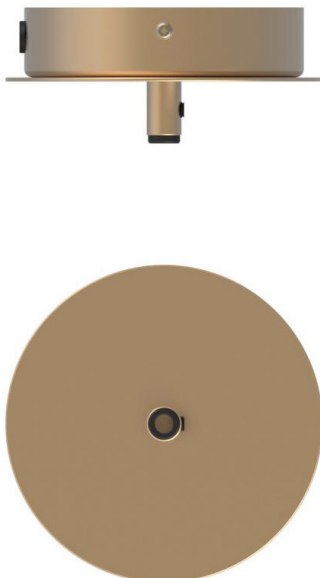
Product weight:

Product incl. ceiling plate: 1195 g
Ceiling plate: 265 g

Packaging:

Dimensions: L: 11,18in x W: 11,18in x H: 10,35in
Weight: 504 g
Total weight incl. product: 1699 g
Number of parcels: 1
Material: Brown cardboard.

Included ceiling plate:



Packaging - weight - material:

Cardboard outside: 245 g
Cardboard inside: 230 g
Bubble wrap: 25 g
Plastic bag: 4 g

Cleaning:

Use a soft dry cloth to clean the product.
Do not use household cleaners.

Certifications and labels:

CE - CE-certified
IP20 - IP20
□ - Class II

This fixture is fabricated with UL rated components, but the fixture itself is not UL listed. This option may be available for an additional fee.

Light source/Light Output:

6W Integrated LED / A+
Lumen: 162 lm
Colour Temp.: 2418 Kelvin
CRI: Ra81,7
Voltage (V): 120V

Dimmability:

Can be fitted with a standard trailing edge dimmer.

DALI compatible

Safety instructions

Important! Before commencing installation work disconnect the main cable from the power supply - remove fuse or turn switch to "OFF"!

1. Installation should be carried out in accordance with the local safety regulations.
2. In order to prevent damage, please check walls for cables before drilling holes.
3. Please ensure that all electrical connections (even pre-assembled lamps) are screwed tightly or are fully inserted as good contact is essential for a long life-span at high currents. Please check for tight connections after changing or adjusting lamps. Screwed connections must be tightened after 20 minutes.
4. Please do not place objects on your system (e.g. for decorative purposes) if they were not delivered with the system.
5. The lamps get very hot when in use. Please allow lamps to cool down before touching.
6. Do not change lamps or spots when switched on.
7. System should not be enlarged with additional lamps.
8. We reserve the right to technical alterations.

Please keep these instructions.

Europe: Integrated LED - Voltage: 230 VAC

North America: Integrated LED - Voltage: 120 VAC

Use of a dimmer is highly recommended

(Must be LED compatible.)

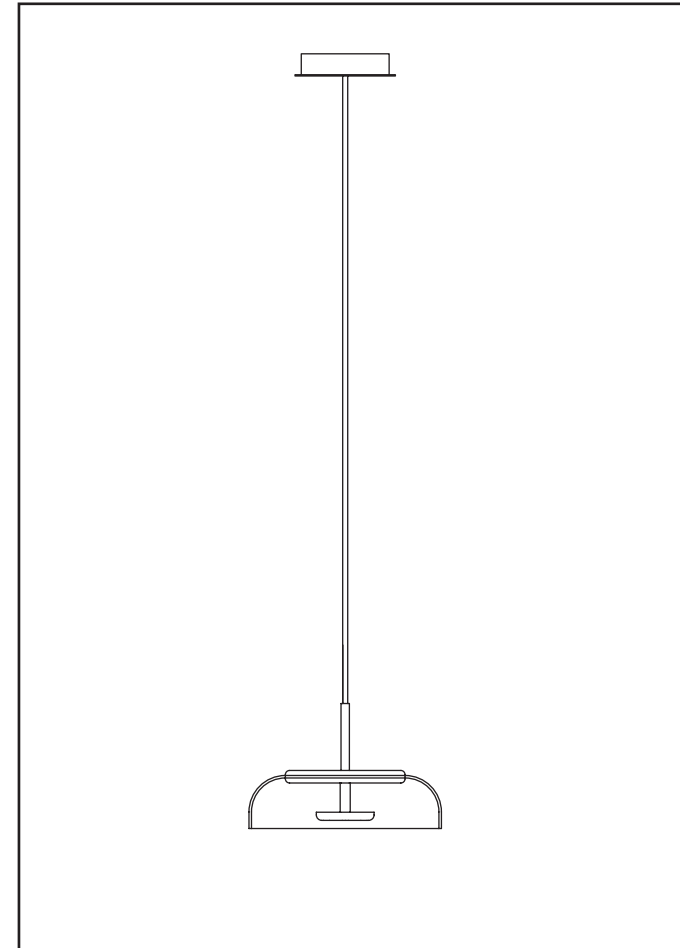
The glass used for this lamp is hand-blown.

Only 1st. quality has been chosen.

Air bubbles and variations in thickness and colour is normal.

Blossi 1

Assembly Instructions



NUURA

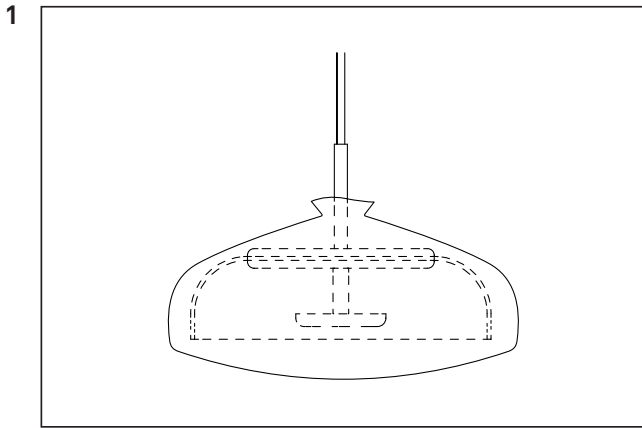
www.nuura.com
info@nuura.com

© 2018 All rights reserved

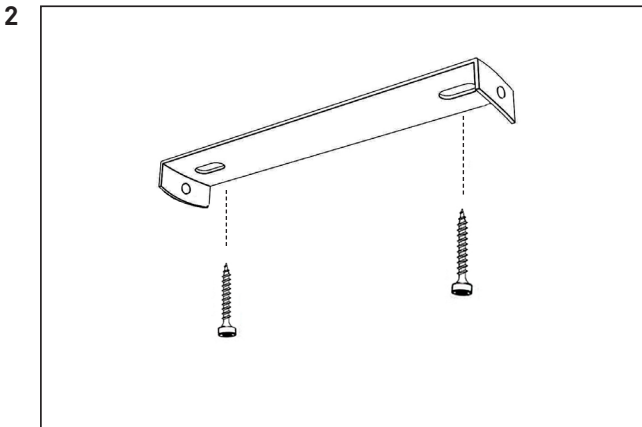


NUURA

© 2018 All rights reserved

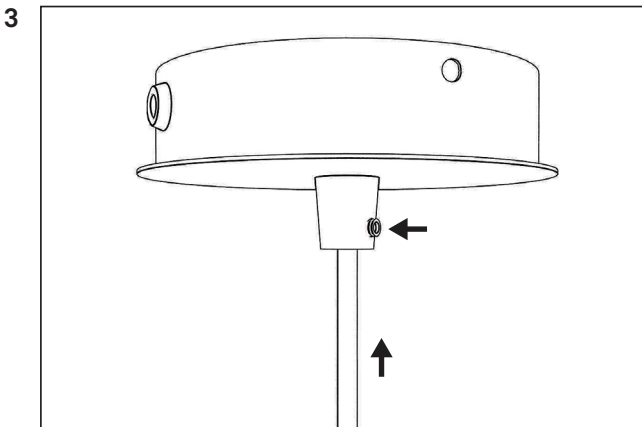


Please do not remove the pendant from its packaging until the pendant are securely attached to the mounted ceiling plate.



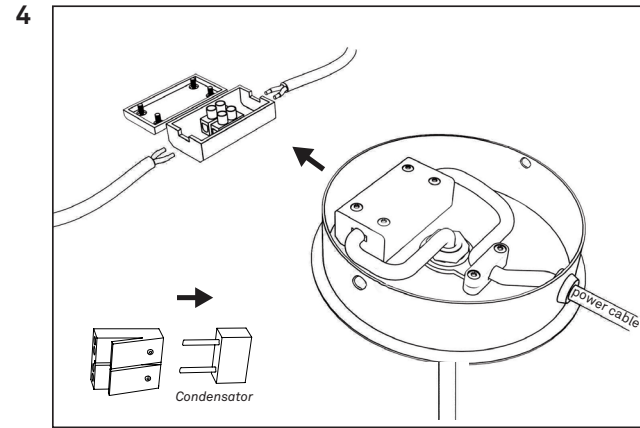
Mount the bracket to the ceiling with screws.

Please make sure it is fixated properly.



Adjust the length of the fabric cable to fit your specifications.

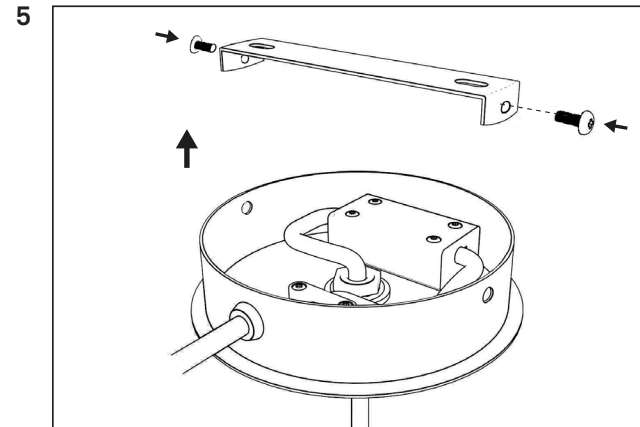
Be sure to tighten the screw carefully after adjusting the length and leave enough of the cable inside the ceiling plate so the end can reach the cable connector.



1. Lead the fabric cable into the cable connector.

2. Install the power cable by leading it through the side of the ceiling plate through the cable relief and into the cable connector. Please make sure the cable relief is tightened.

NB: If you plan to use a dimmer please remove the condensator from the cable connector to avoid double resistance.



Attach the ceiling plate to the bracket with the screws.