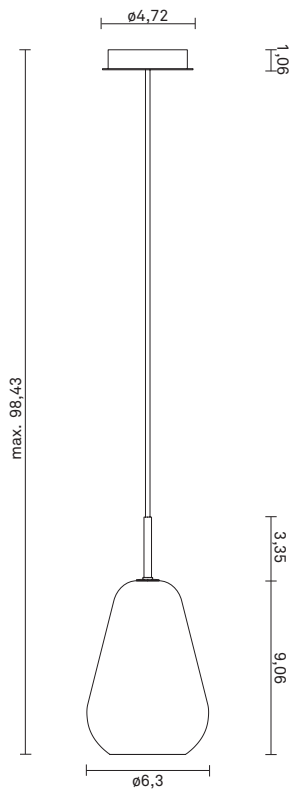


# NUURA



## ANOLI 1 - Small - Opal

Design: Sofie Refer, 2018. US-model.

**Anoli 1 - Small in mouth blown Opal glass and Nordic Gold finish. Incl. Ceiling plate.**

Anoli Collection captures the tranquility of falling water droplets. The elegant droplets and golden warmth are the essence of the sophisticated pendant collection Anoli.

The elegant yet simple drop shape is emphasized by the finest mouth blown glass and light gold metal.

The collection ranges from sleek pendants to elegant chandeliers and can be customised for larger projects and private homes.

**Anoli 1 - Small** works perfectly as a single pendant or more pendants in lines or grouped over a table or desk.

### **Anoli collection:**

The Anoli collection include the following products:

- Anoli 1 - Small
- Anoli 1 - Small / Opal
- Anoli 1 - Medium
- Anoli 1 - Medium / Opal
- Anoli 3
- Anoli 3 / Opal
- Anoli 6
- Anoli 6 / Opal
- Anoli 13
- Anoli 13 / Opal

## TECHNICAL INFO

**Product no.:** 97320124

**Type:** Suspension - Indoor

**Colour:**

Glass: Opal  
Metal: Nordic Gold  
Cable: White

**Materials:**

Powder coated metal  
Mouth-blown glass  
Fabric covered cable

**Dimensions:**

ø6,3in x 12,4in  
Ceiling plate: ø4,72in x 1,97in  
Fabric cable - Length: 98,43in

**Product weight:**

Product incl. ceiling plate: 1181 g  
Ceiling plate: 265 g

**Packaging:**

Dimensions: L: 10in x W: 10in x H: 15,87in  
Weight: 855 g  
Total weight incl. product: 2036 g  
Number of parcels: 1  
Material: Brown cardboard.

**Packaging - weight - material:**

Cardboard outside: 598 g  
Cardboard inside: 289 g  
Bubble wrap: 25 g  
Plastic bag: 4 g

**Cleaning:**

Use a soft dry cloth to clean the product.  
Do not use household cleaners.

**Certifications and labels:**

CE - CE-certified  
IP20 - IP20  
□ - Class II

This fixture is fabricated with UL rated components, but the fixture itself is not UL listed. This option may be available for an additional fee.

**Light source:**

Socket: G9  
Max wattage: 7W LED (Bulb not included)  
Voltage (V): 120V

**Recommended light source:**

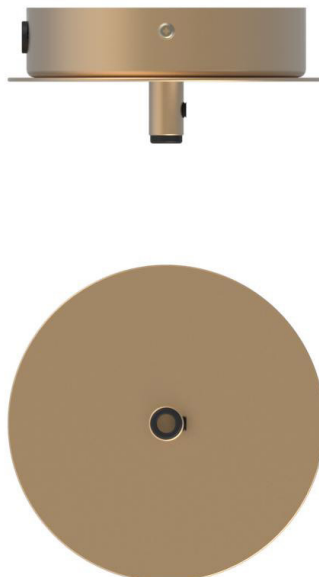
Equivalent to Illumination G9 (344-47), 5.6W

**Dimmability:**

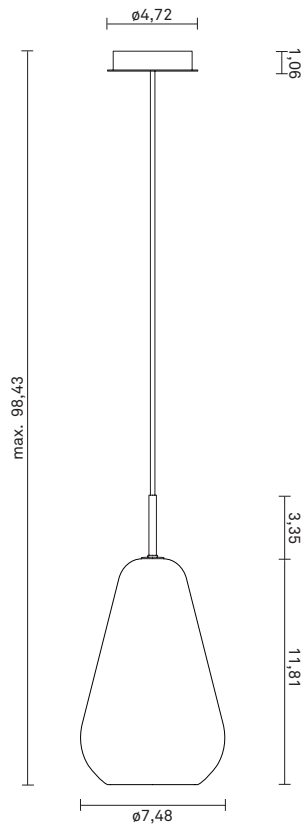
Can be fitted with an aligned dimmer.

**DALI compatible**

**Included ceiling plate:**



# NUURA



## ANOLI 1 - Medium - Opal

Design: Sofie Refer, 2018. US-model.

**Anoli 1 - Medium in mouth blown Opal glass and Nordic Gold finish.**

Anoli Collection captures the tranquility of falling water droplets. The elegant droplets and golden warmth are the essence of the sophisticated pendant collection Anoli.

The elegant yet simple drop shape is emphasized by the finest mouth blown glass and light gold metal.

The collection ranges from sleek pendants to elegant chandeliers and can be customised for larger projects and private homes.

**Anoli 1 - Medium** works perfectly as a single pendant or more pendants in lines or grouped over a table or desk.

### **Anoli collection:**

The Anoli collection include the following products:

- Anoli 1 - Small
- Anoli 1 - Small / Opal
- Anoli 1 - Medium
- Anoli 1 - Medium / Opal
- Anoli 3
- Anoli 3 / Opal
- Anoli 6
- Anoli 6 / Opal
- Anoli 13
- Anoli 13 / Opal

## TECHNICAL INFO

**Product no.:** 97330124

**Type:** Suspension - Indoor

**Colour:**

Glass: Opal  
Metal: Nordic Gold  
Cable: White

**Materials:**

Powder coated metal  
Mouth-blown glass  
Fabric covered cable

**Dimensions:**

ø7,48in x 15,16in  
Ceiling plate: ø4,72 x 1,97  
Fabric cable - Length: 98,43

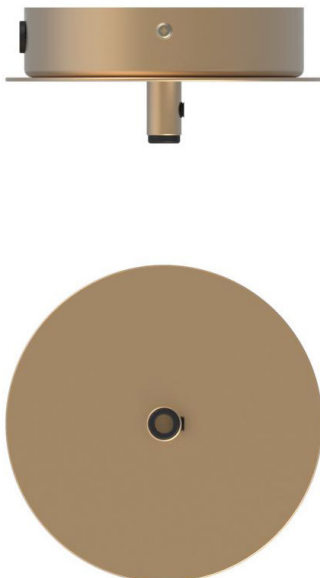
**Product weight:**

Product incl. ceiling plate: 1255 g  
Ceiling plate: 265 g

**Packaging:**

Dimensions: L: 10in x W: 10in x H: 18,94in  
Weight: 916 g  
Total weight incl. product: 2171 g  
Number of parcels: 1  
Material: Brown cardboard.

**Included ceiling plate:**



**Packaging - weight - material:**

Cardboard outside: 598 g  
Cardboard inside: 289 g  
Bubble wrap: 25 g  
Plastic bag: 4 g

**Cleaning:**

Use a soft dry cloth to clean the product.  
Do not use household cleaners.

**Certifications and labels:**

CE - CE-certified  
IP20 - IP20  
□ - Class II

This fixture is fabricated with UL rated components, but the fixture itself is not UL listed. This option may be available for an additional fee.

**Light source:**

Socket: G9  
Max wattage: 7W LED (Bulb not included)  
Voltage (V): 120V

**Recommended light source:**

Equivalent to Illumination G9 (344-47), 5.6W

**Dimmability:**

Can be fitted with an aligned dimmer.

**DALI compatible**

## Safety instructions

Important! Before commencing installation work disconnect the main cable from the power supply - remove fuse or turn switch to "OFF"!

1. Installation should be carried out in accordance with the local safety regulations.
2. In order to prevent damage, please check walls for cables before drilling holes.
3. Please ensure that all electrical connections (even pre-assembled lamps) are screwed tightly or are fully inserted as good contact is essential for a long life-span at high currents. Please check for tightconnections after changing or adjusting lamps. Screwed connections must be tightened after 20 minutes.
4. Please do not place objects on your system (e.g. for decorative purposes) if they were not delivered with the system.
5. The lamps get very hot when in use. Please allow lamps to cool down before touching.
6. Do not change lamps or spots when switched on.
7. System should not be enlarged with additional lamps.
8. We reserve the right to technical alterations.

Please keep these instructions.

Europe: Fitting: E14/G9 (Opal) - Voltage: 220-240V

North America: Fitting: E12/G9 (Opal) - Voltage: 110-120V

Use of a dimmer is highly recommended

(Must be compatible with type of bulb.)

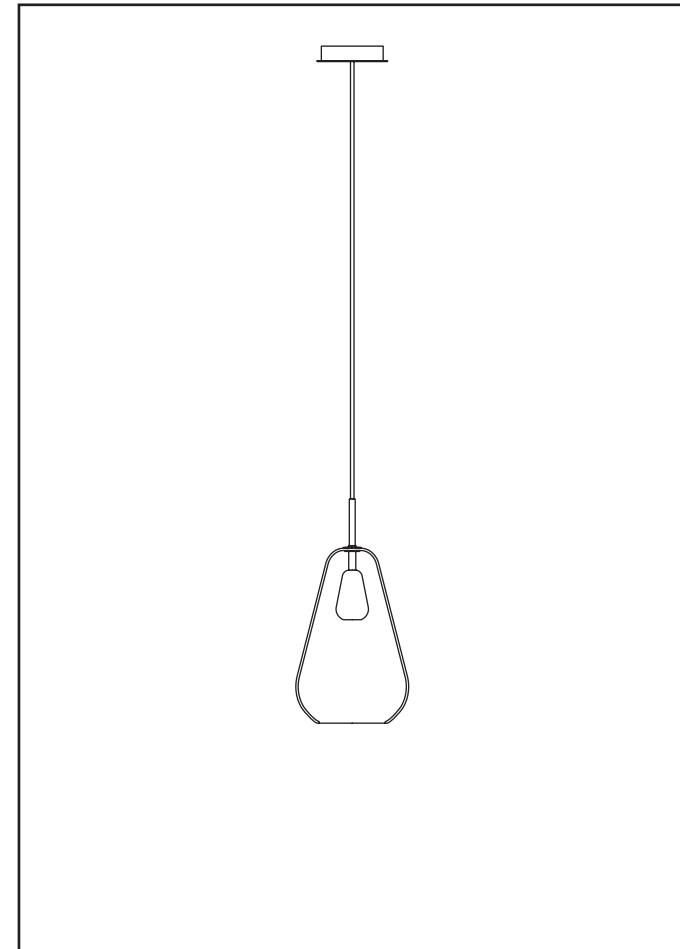
The glass used for this lamp is hand-blown.

Only 1st. quality has been chosen.

Air bubbles and variations in thickness and colour is normal.

# Anoli 1

## Assembly Instructions



NUURA

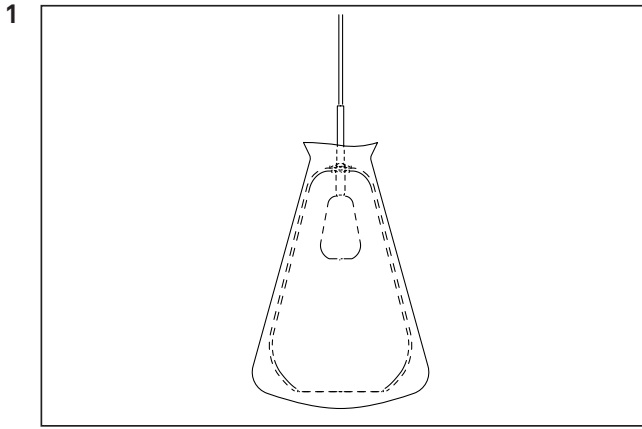
www.nuura.com  
info@nuura.com

© 2018 All rights reserved

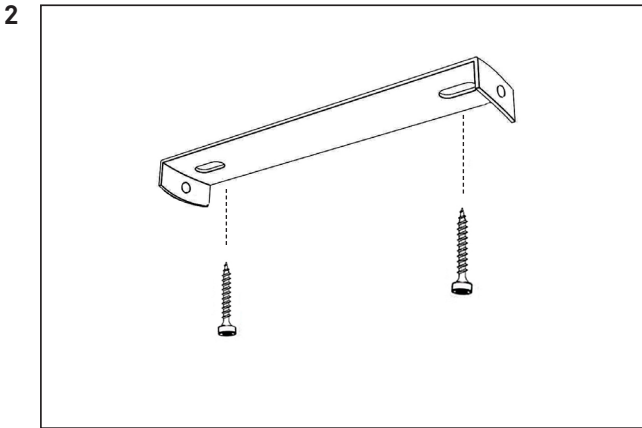


NUURA

© 2018 All rights reserved

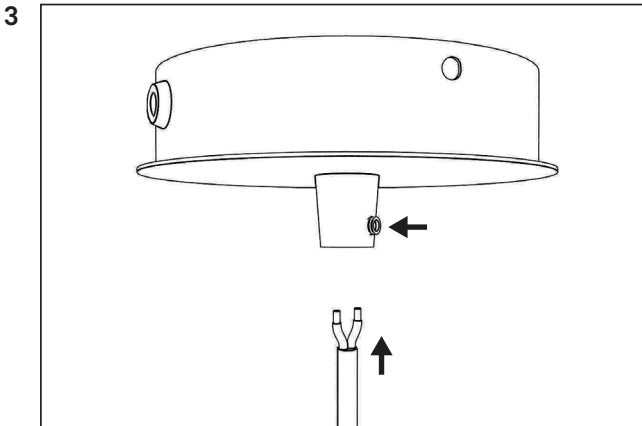


Please do not remove the pendant from its packaging until the pendant are securely attached to the mounted ceiling plate.



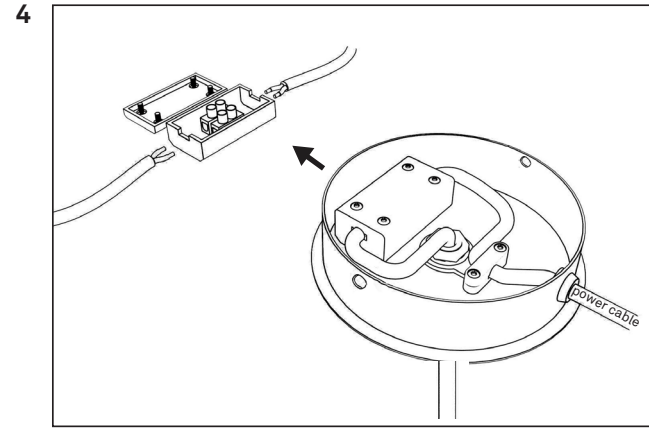
Mount the bracket to the ceiling with screws.

Please make sure it is fixated properly.



Lead the fabric cable in through the cable relief at the bottom of the ceiling plate.

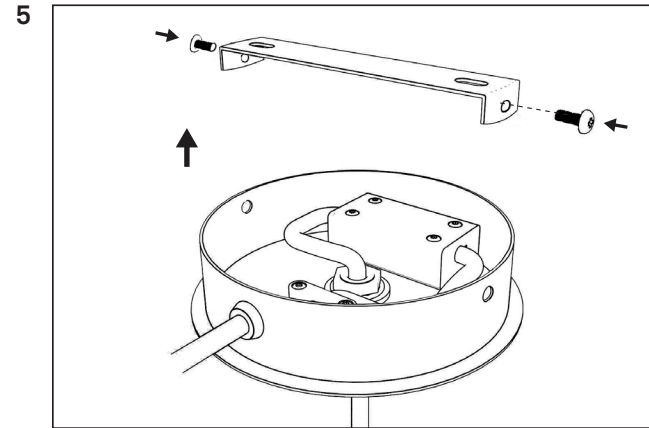
Be sure to tighten the screw carefully and to leave enough of the cable inside the ceiling plate so the end can reach the cable connector.



1. Lead the fabric cable into the cable connector.

2. Install the power cable by leading it through the side of the ceiling plate through the cable relief and into the cable connector.

Please make sure the cable relief is tightened.



Attach the ceiling plate to the bracket with the screws.