



PRODUCT SHEET

**Eave Dining Sofa**  
*by Norm Architects*

# Eave Dining Sofa

BY NORM ARCHITECTS

Banquette-style sofa foam-padded modules in fabric upholstery and set on black powder coated steel legs. As no two spaces are the same, we also offer bespoke solutions that accommodate individual requirements for length.

## SPEC OPTIONS

Available in fabrics from our upholstery programme. Standard lead times apply. Custom upholstery available upon request. For further information please refer to MENU Upholstery Programme.



## PRODUCT OPTIONS

### 80



### 165



### 200



### 280



## CORNER



Eave Dining Sofa, Black Steel / Moss 022, by Norm Architects  
Eave Dining Sofa, Black Steel / Hot Madison Reloaded CH1249/233, by Norm Architects

# Eave Dining Sofa

BY NORM ARCHITECTS

## TECHNICAL SPECIFICATIONS

### PRODUCT TYPE

Sofa

### ENVIRONMENT

Indoor

### DIMENSIONS

#### 80

H: 79 cm / 31,1"  
SH: 48 cm / 18,9"  
W: 80 cm / 31,5"  
D: 75 cm / 29,5"

#### 165

H: 79 cm / 31,1"  
SH: 48 cm / 18,9"  
W: 165 cm / 65"  
D: 75 cm / 29,5"

#### 200

H: 79 cm / 31,1"  
SH: 48 cm / 18,9"  
W: 200 cm / 78,7"  
D: 75 cm / 29,5"

#### 280

H: 79 cm / 31,1"  
SH: 48 cm / 18,9"  
W: 280 cm / 110,2"  
D: 75 cm / 29,5"

### CORNER

H: 79 cm / 31,1"  
SH: 48 cm / 18,9"  
W: 75 cm / 29,5"  
D: 75 cm / 29,5"

### PRODUCTION PROCESS

Modules are constructed with a frame made from pine, plywood and MDF. Seat, backrest and armrests consist of a double layer of foam and no-sag springs. Legs are made from powder coated steel rod, welded on a mounting bracket in steel.

### COLOUR

**Legs**  
Black (RAL 9005)

### Seat

Dependent upon selected upholstery

### MATERIALS

#### Seat

Pine, plywood, MDF, steel (spring), HR Foam and upholstery

#### Legs

Steel

### WEIGHT

80: 32 kg / 70,5 lb  
165: 41 kg / 90,4 lb  
200: 49 kg / 108 lb  
280: 67 kg / 147,7 lb  
Corner: 30 kg / 66,1 lb

Item weight depends on modules selected.

### TEST

N / A

### CERTIFICATIONS

TSCA title VI compliant

### PACKAGING TYPE

Brown box

### PACKAGING MEASUREMENTS (H x W x D)

**80**  
62 cm x 78 cm x 83 cm / 24,4" x 30,7" x 32,7"

**165**  
78 cm x 168 cm x 62 cm / 30,7" x 66,1" x 24,4"

**200**  
78 cm x 203 cm x 62 cm / 30,7" x 79,9" x 24,4"

**280**  
78 cm x 283 cm x 62 cm / 30,7" x 111,4" x 24,4"

### CORNER

63 cm x 78 cm x 78 cm / 24,4" x 30,7" x 30,7"

Packaging measurements depend on modules selected.

### MATERIALS & MAINTENANCE

Please visit [menuspace.com](https://www.menuspace.com) for materials and care and maintenance instructions.

# Eave Dining Sofa

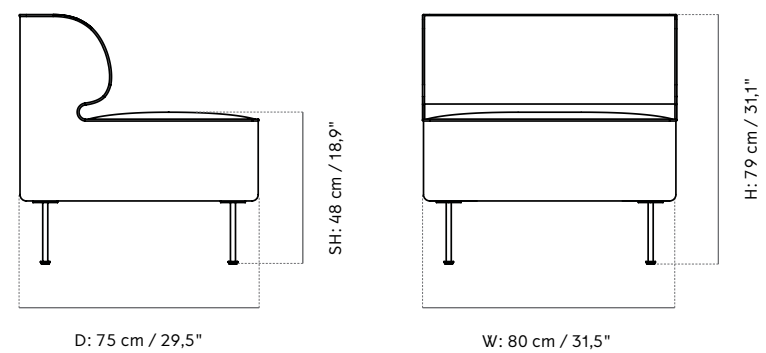
BY NORM ARCHITECTS

---

## TECHNICAL DRAWING

---

EAVE DINING SOFA, 80



# Eave Dining Sofa

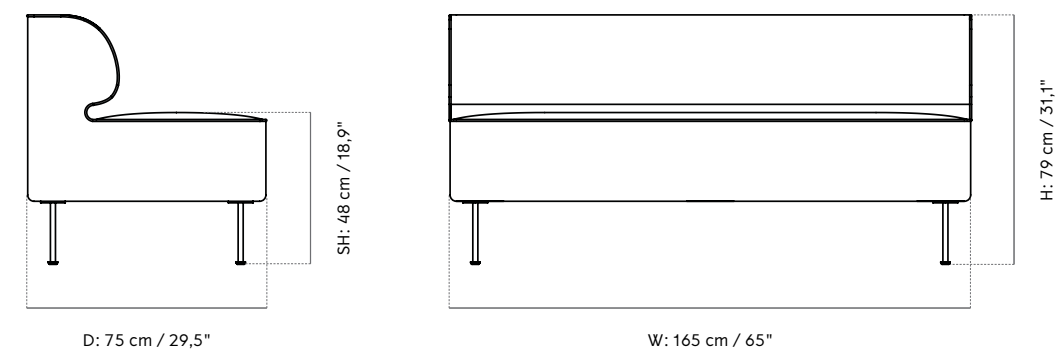
BY NORM ARCHITECTS

---

## TECHNICAL DRAWING

---

EAVE DINING SOFA, 165



# Eave Dining Sofa

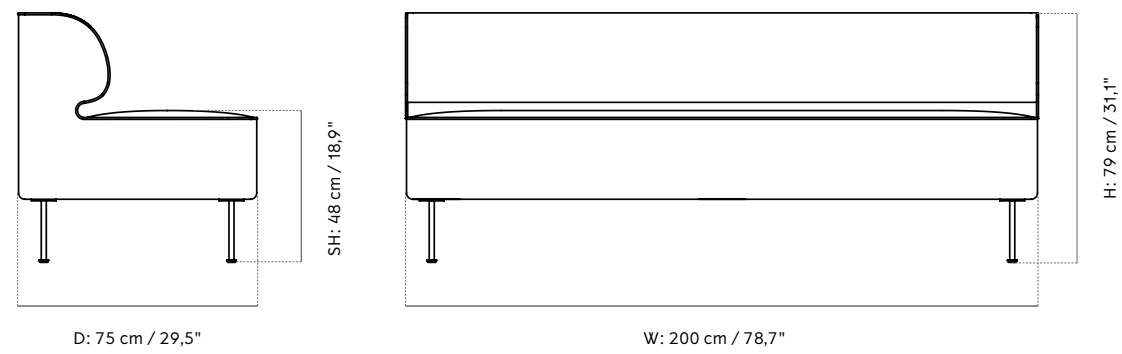
BY NORM ARCHITECTS

---

## TECHNICAL DRAWING

---

EAVE DINING SOFA, 200



# Eave Dining Sofa

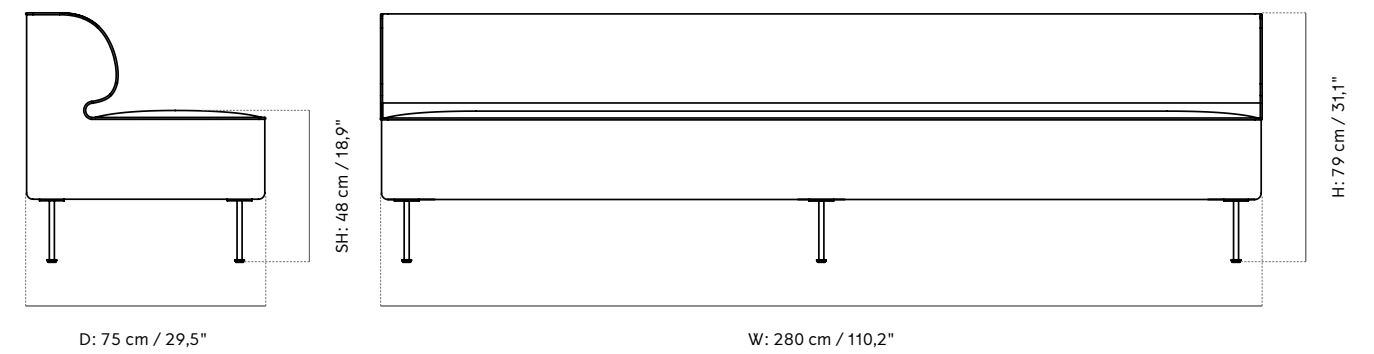
BY NORM ARCHITECTS

---

## TECHNICAL DRAWING

---

EAVE DINING SOFA, 280



# Eave Dining Sofa

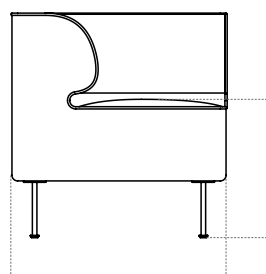
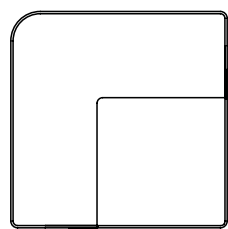
BY NORM ARCHITECTS

---

## TECHNICAL DRAWING

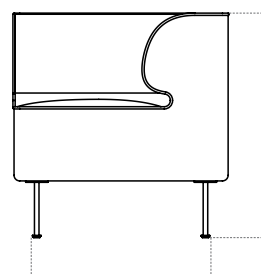
---

### EAVE DINING SOFA, CORNER



D: 75 cm / 29,5"

SH: 48 cm / 18,9"

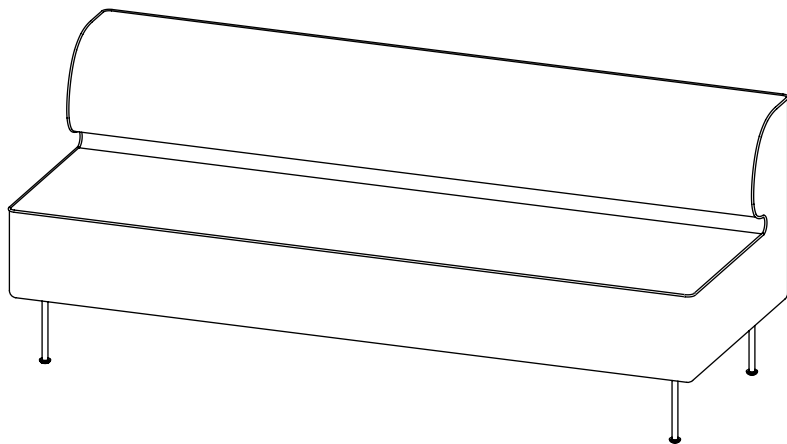


H: 79 cm / 31,1"

W: 75 cm / 29,5"

# Eave Dining

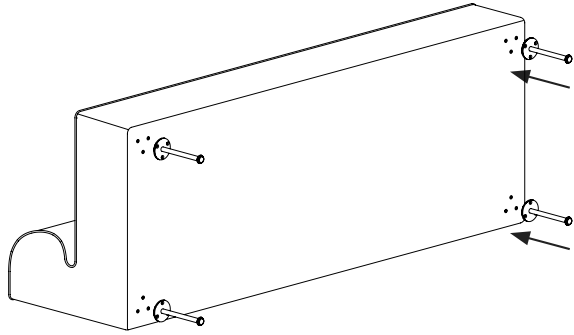
## by Norm Architects



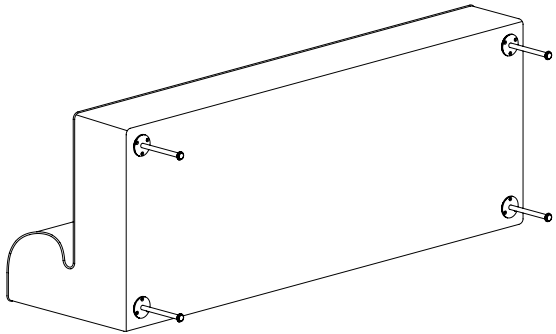
MENU

1

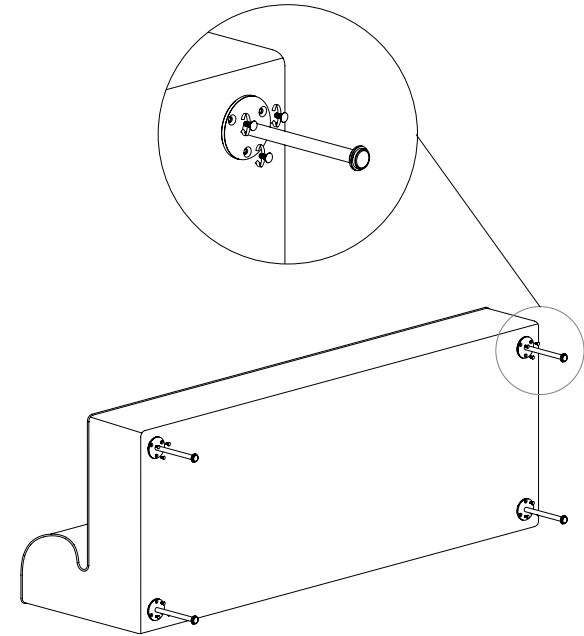
**NOTE** - Please ensure that all assembly is done on a soft surface, to avoid damaged/scratched.



2



3



4

