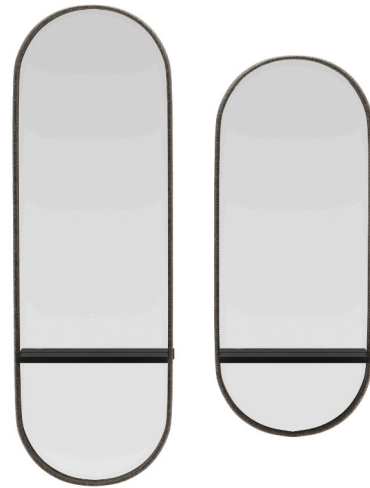


Cleo

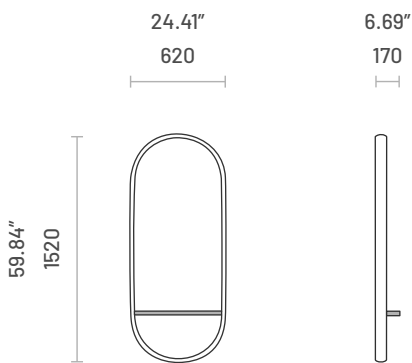
MIRROR

Curvy, minimal, and distinctive, Cleo is an opulent mirror design that will upgrade your design project. The oval shape of this mirror is only one of the many features that, when combined, result in an exclusive accessory that enhances the beauty of a project. The mirror frame is upholstered in the fabric you choose and a wooden shelf is included in the middle of the piece for extra support. Cleo mirror is something you've never seen before and will be the perfect addition to your project.

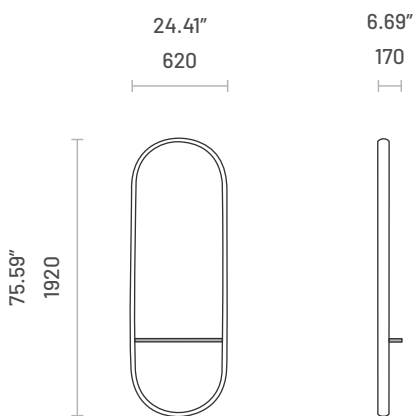


Specifications

Dimensions (Small)



Dimensions (Large)



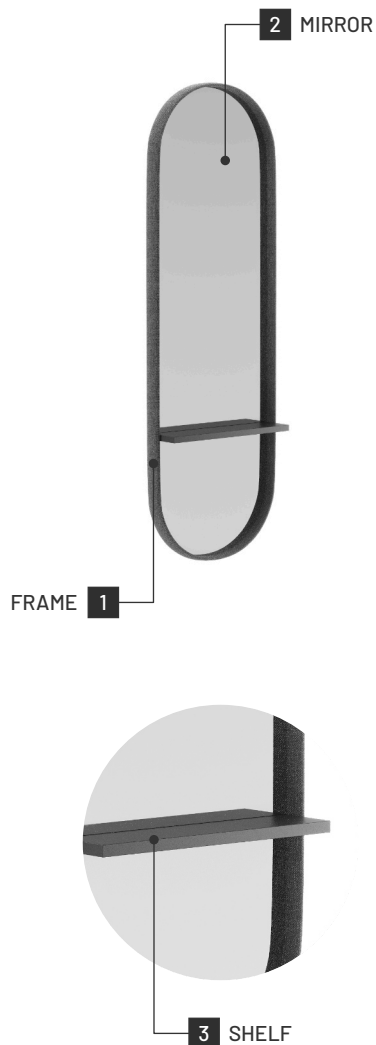
Technical Information

Frame

Structure: MDF, Wood Veneer and Mirror

Materials and Finishes





Overview



Available Finishes

	1	2	3
Fabrics			
Aldan	●	—	—
Arno	●	—	—
Astoria	●	—	—
Avalon	●	—	—
Bergen	●	—	—
Brampton	●	—	—
Clarence	●	—	—
Columbia	●	—	—
Devon	●	—	—
Galway	●	—	—
Helmand	●	—	—
Hudson	●	—	—
Osaka	●	—	—
Provence	●	—	—
Synthetic Leathers			
Rupert	●	—	—
Glasses and Mirrors			
Clear Glass	—	—	—
Smoked Glass	—	—	—
Bronze Glass	—	—	—
Clear Mirror	—	●	—
Smoked Mirror	—	●	—
Bronze Mirror	—	●	—
Wood Veneers			
Natural Oak	—	—	●
Natural Walnut	—	—	●
Fumé Eucalyptus	—	—	●
Fumé Oak	—	—	●
Lacquers			
Bone	—	—	●
Taupe	—	—	●
Olive	—	—	●
Syrah	—	—	●
Ocean	—	—	●
Black	—	—	●

COM Fabric and Leather Requirements

Item	1	
Cleo Mirror S	Fabric  2.40 lm 7.87 ft	Leather  4.80 m2 51.84 ft2
Cleo Mirror L	Fabric  2.80 lm 9.19 ft	Leather  5.60 m2 60.48 ft2